



HYGIENIC ACCESSORIES
AND CEILING SUSPENSIONS
FOR AGRO-ALIMENTARY,
COLD- AND CLEANROOM
INDUSTRIES

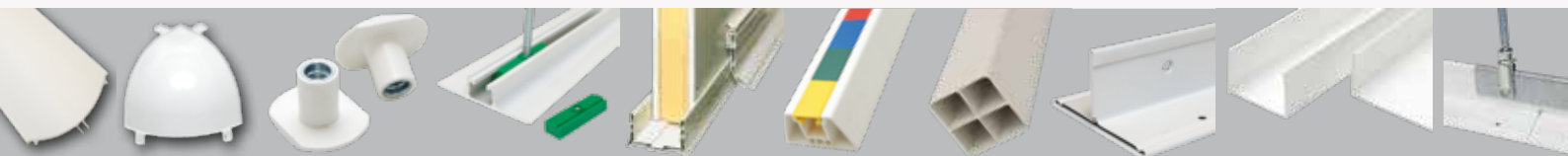
COVINGS

BACKING PROFILES

PLINTHS

BUMPER

SUSPENSIONS



ENGINEERING SOLUTIONS, MANUFACTURING QUALITY

www.castel-engineering.com

The company

Castel Engineering is a Belgian company specialized in the extrusion and injection moulding of plastic parts mainly for the HVAC-R industries. Founded in 1987 as a small company, it has been growing ever since to become a European leader and a standard reference for quality.

The wide variety of product ranges provides high-quality components for clean- and coldroom, panel and refrigerated door manufacturers as well as for the installation of air conditioners.

With ideal locations for logistics, Castel Engineering Group of companies is proud to serve over 70 countries around the world. Castel Engineering Polska Sp zoo, located in Poland, takes care of the Eastern European markets.

Castel Engineering Belgium

Head Quarters
Rue de la Royenne 84 - 7700 Mouscron - Belgium
T +32 (0)56 33 68 40 / F +32 (0)56 33 78 10
info@castel-engineering.com

Castel Engineering Polska Sp. Z.o.o.

Tomaszowice Kol. 126 - 21-002 Tomaszowice - Polska
T +48 (0)81 503 28 22 / F +48 (0)81 503 15 55
biuro@castel-engineering.com

Disclaimer

This catalogue cancels and replaces all former versions. We reserve us the right to amend it without prior notice. It is the sole responsibility of the customers to obtain the most recent version in force of this document. It can be obtained by a simple written request.

The products mentioned in this catalogue are exclusively for *HVAC-R professional customers (*Heating, Ventilation, Air Conditioning and Refrigeration). Before buying the products, they are the sole and entire responsables to controle whether the products are appropriate for their intended use and if they comply to all norms and regulations in application according to intended use at the location of installation and use, as well as to determine the adequate controle and maintenance programme once products are installed.

Unless specifically written in this document, all data that may be subject to take into account a notion of security factor or security parameter, are expressed without taking these into account. All data of performance, if mentioned in this document, are provided only as a guidance to determine the suitability of the products. Dimensions and weights are nominal. They are not aimed for manufacturing purposes even if tolerances are mentioned.

Purchasing the products from Castel Engineering sprl or its Affiliates is submitted to its General Conditions of Sale.

They can be found on the website <http://www.castel-engineering.com>

or can be obtained by a simple written request to info@castel-engineering.com

All pictures and drawings in this literature are for illustration purposes only. Data may change without prior notice and are subject to tolerances. Castel Engineering Sprl., its Affilates and its Distributors cannot be held liable for typographical errors, layout errors or technical misinformation contained herein.

Our values

As a manufacturer Castel Engineering is aware that modern economy requires constant and swift adaptation, while diversification of the offer will ensure a growing market share.

Products of very high quality

Though the tendency is towards a never-ending spiwhite of cheaper products, we commit ourselves to still manufacture products of very high quality. Thanks to full control of our production processes and tool conceptions, we have been able to keep our commitments while remaining the most competitive.

A personal approach

We consider it our duty to support our customers with their requests. We are keen on sharing our expertise in order to allow them to opt for the best suitable solution for their projects.

Communication is crucial. We take care of every customer with an individual and personal approach. Our multilingual sales team will follow up your requests step by step, so as to understand your needs, advise the selection of the right products, send a quotation and ensure that your order is delivered at your warehouse.

Stock and transport

Keeping a well-filled stock is another service we provide to our customers. At least 6 000 m², of our total surface of 17 000 m² therefore represent the permanent storage of our products. Offering fast and competitive transport solutions is part of our service.



Production

We need 3 000 000 kg of raw materials each year to feed the **15 injection moulding and 7 extrusion lines** that Castel Engineering currently houses at its H.Q. In 2014 new additional machinery reinforced our production. These investments were necessary to extend our offer and services to the customers.

Our Research and Development department has the task of ensuring that our products keep up with the evolution of technology. Their other key role is to keep on **improving products** or **conceiving new ones**, with a reduced ecological footprint, to comply with new standards.

Why choose Castel Engineering ?

Engineering solutions

With over 25 years of experience in plastics processing we have been able to gather and increase the essential knowledge to become and remain a European leader.

We continuously improve our products to offer an up-to-date response to the constantly changing markets.

We have accumulated a serious know-how in tool design which helps to optimize manufacturing costs while enabling us to produce high quality at the most competitive prices.

Many satisfied customers have also entrusted us with the conception and manufacturing of some of their OEM components.

Manufacturing quality

We can guarantee a high quality of manufacturing thanks to

- Modern, up-to-date machinery
- Prime raw materials from renowned industrial suppliers who give us their full support
- Quality control checks on a regular basis.

Fully in-house

Castel Engineering has both extrusion and injection moulding production processes as expertise, which is exceptional in its sector. Packing is also done "in-house" which allows quality control over the whole process, from raw material processing into products to packed and ready to be dispatched.

Orders are prepared and shipped on a virtually permanent stock availability. One of our strengths is the fact that we can modify the production planning according to urgent or special requests.

Respect for the environment

We are conscious that the natuwhite resources on our planet are limited. Anxious not to waste them we have e.g.;

- a recycling program that allows us to recover and reuse as much raw materials as possible
- packaging, mainly from recycled origin, carefully selected for minimum ecological footprint
- invested in solar panels to provide much of our energy requirement
- been purchasing green energy to cover the rest of our consumption



Subject to any changes - CATI COOL 2018-102 00560 000-42

Wall to Floor and Wall to Ceiling Hygienic Profiles

Higieniczne profile wykończeniowe

Perfiles Sanitarios Suelo – Pared y Pared - techo

Гигиенические отделочные профили стена-пол и стена-потолок

Profils Sanitaires Mur-Sol, Mur-Plafond

Dimensions & Colours	pg 10
Wymiary i kolory / Dimensiones y Colores	
Размеры и цвета / Dimensions et Coloris	
Large PVC Covings	pg 11
Duże profile narożne PVC / Media Caña / Concavo grande en PVC	
Большой закругленный угловой профиль ПВХ	
Congé d'Angle Arrondi PVC - Grand modèle	
Medium PVC Covings	pg 12
Średnie profile narożne PVC / Media Caña / Concavo media en PVC	
Средний закругленный угловой профиль ПВХ	
Congé d'Angle Arrondi PVC - Moyen Modèle	
Small PVC Covings	pg 13
Małe profile narożne PVC / Media Caña / Concavo pequeño en PVC	
Малый закругленный угловой профиль ПВХ	
Congé d'Angle Arrondi PVC - Petit Modèle	
ALU Covings	pg 15
Aluminiowe profile narożne / Media Caña en aluminio	
Алюминиевые закругленные профили / Congés d'angles en ALU	
Backing Profiles	pg 16
Profile mocujące / Perfiles de sujeción	
Крепёжные профили / Cornières	
Compatibility	pg 19
Plinth Profiles	pg 20
Cokołowe profile / Rodapiés - Zocalos	
Плинтусные профили / Perfilés Plinthes	
Plinth accessories	pg 21
Akcesoria dla profili cokołowych / Accesorios de Rodapiés - Zocalos	
Аксессуары для плинтусного профиля / Accessoires de profilés Plinthes	
Other Skirting solutions	pg 22
Pozostałe profile wykończeniowe / Otros Perfilés higiénicos	
Другие решения для плинтуса / Autres Profilés Sanitaires	
U Channel Profiles	pg 23
Profile bazowe - U / Canales U Sanitarios	
Базовые профили типа - U / Perfilés U higiéniques	
Assymetric U Channels	pg 24
Asymetryczne profile - U / Canales U asimétricos	
Асимметричные U профили - базовые / Perfilés U asymétriques	
Symmetric U Channels	pg 25
Symetryczne profile - U / Canales U simétricos	
Симметричные U профили - базовые / Perfilés U symétriques	
L-Covering Profiles	pg 26
Wykończeniowe profile zewnętrznych naroży - L / Perfil de acabado "L"	
L-профиль - отделочный / Perfilés de finition "L"	

Bumper Panel Protections

Profile odbojowe

Parachoques

Protección de Paneles

Бампер - Ограждения панели

Pare-chocs - Protection de Panneaux

Heavy-Duty Bumper Rail	pg 28
Wzmocnione poręcze odbojowe / Parachoques Alta Resistencia	
Усиленный бамперный профиль / Pare-chocs Haute Résistance	

Ceiling Suspension

Profile podwieszenia sufitu / Suspensiones de Techos

Подвесные системы потолка / Suspensions de Plafonds

Galvanized Powder-Coated Steel Profile	pg 32
Stalowe ocynkowane i malowane profile T / Perfil T en Acero galvanizado lacado en polvo	
- Оцинкованная сталь с порошковым покрытием T Профиль	
Profil T en Acier galvanisé laqué par poudre	
Alu & Glass Fibre-Reinforced Polyester T Profiles	pg 33
Profile poliestrowe T / Perfilés T en resina poliéster reforzada Fibra de vidrio	
Полиэстровые профили T армированные стекловолокном	
Profils T en Polyester renforcé de Fibres de verre	
Omega ALU profile	pg 34
Aluminiowy profil Omega / Perfil Omega en aluminio	
Омега алюминиевый профиль для подвесного потолка / Perfilé Omega en ALU	
T-Omega and T ALU Profiles	pg 35
Aluminiowe profile T i T-Omega / Perfilés T-Omega y T en aluminio	
Омега и T алюминиевые профили / Perfilés T-Omega et T en ALU	

Ordering info

Informacja dla zamówień / Info para Petición

Информация для заказа / Info pour commande

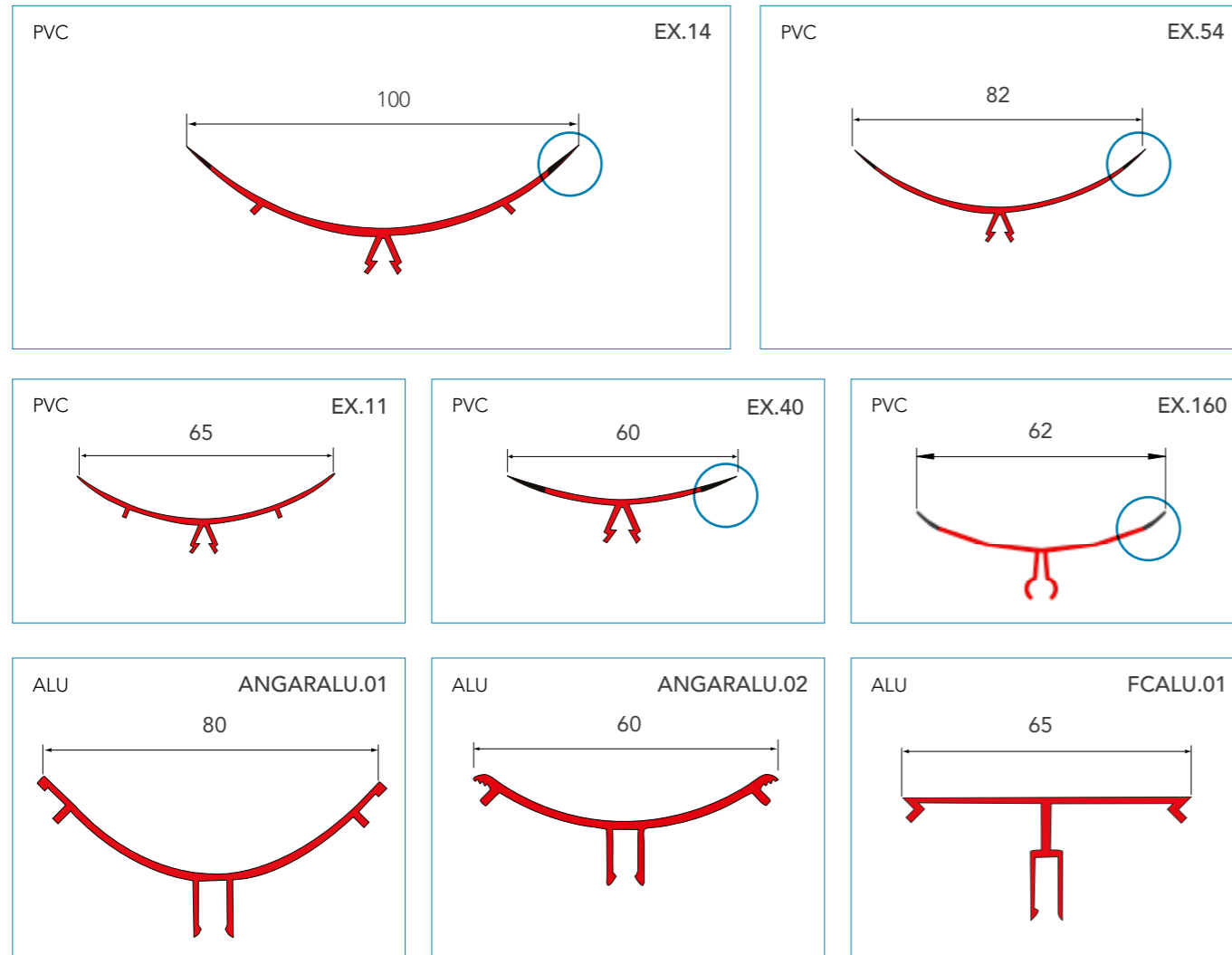
© 2018 Castel Engineering Sprl – Belgium. All pictures and drawings in this literature are for illustration purposes only. Data may change without prior notice and are subject to tolerances. Castel Engineering Sprl, its Affiliates and its Distributors cannot be held liable for typographical errors, layout errors or technical misinformation contained herein.



Wall to Floor Hygienic Profiles

Higieniczne profile wykończeniowe
Perfiles Sanitarios Suelo – Pared y Pared - techo
Гигиенические отделочные профиля стена-пол и стена-потолок
Profilés Sanitaires Mur-Sol, Mur-Plafond

COVING DIMENSIONS



 Flexible edge / Miękie krawędzie / Labio flexible / Эластические края / Lèvre souple

COLOURS



	A	B	C	D	E	F	G	H	I
Approximately	CI902	CW903	CW910	9005	3020	5010	6028	1021	9006
Pantone	warm gray CI 902	cool gray CW 903	white CW 910	black	485C	300C	342C	012C	417C
Availability	standard STDW	standard STDW	standard STDW	on request	on request	on request	on request	on request	on request

Inox= stainless steel look



LARGE PVC COVINGS

Large PVC Rounded Corner Profile with Soft Edges

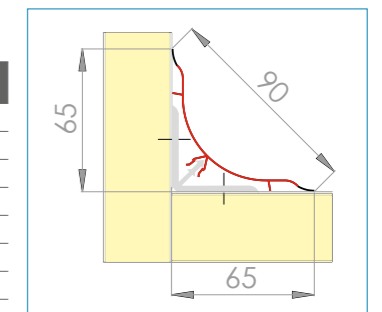
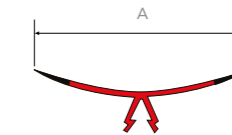
- Standard white colours (STDW)



- Colours on request (CX)



Model	EX.14
Part Code	0601.00001.xxx
Size A	100 mm
Length	4 M
MOQ Packing	120 M/ box
Multi-packing	1920 M/ pal (= 16 x 120 M)
Backing profiles	EX.28 • EX.53 • Hoekalu.40 • Hoekalu.35 • (EX.41) • (Hoekalu.30)
Availability	standard

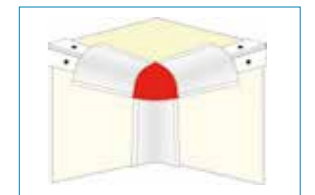


Large PVC Internal Corner Cap

- Standard white colours (STDW) / for other colours: contact us



Model	INJ.59
Part Code	0601.0002.xxx
MOQ Packing	50 pcs (= 5 x 10 pcs)
Availability	standard



Large PVC External Corner Cap

- Standard white colours (STDW) / for other colours: contact us



Model	INJ.297
Part Code	0601.0003.xxx
MOQ Packing	40 pcs (= 4 x 10 pcs)
Availability	standard

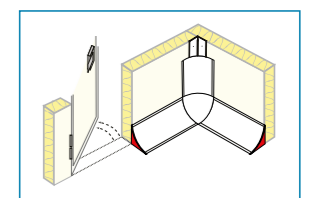


Large PVC End Cap

- Standard white colours (STDW) / for other colours: contact us



Model	INJ.352A
Part Code	0601.0004.xxx
MOQ Packing	100 pcs (= 10 x 10 pcs)
Availability	standard



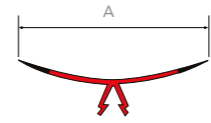
MOQ = Minimum Order Quantity

MEDIUM PVC COVINGS

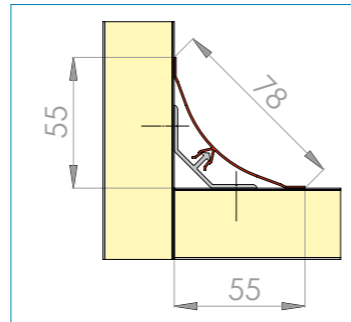
Medium PVC Rounded Corner Profile WITH Soft Edges

• Standard white colours (STDW) / for other colours: contact us

CI902	CW903	CW910
-------	-------	-------



Model	EX.54
Part Code	0602.00001.xxx
Size A	82 mm
Length	4 M
MOQ Packing	120 M/ box
Multi-packing	2400 M/pal (= 20 x 120 M)
Backing profiles	EX.28 • EX.53 • EX.41 • Hoekalu.40 • Hoekalu.35 • Hoekalu.30
Availability	standard



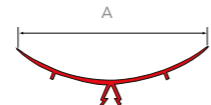
Medium PVC Rounded Corner Profile WITHOUT Soft Edges

• Use hygienic sealant ont both edges
• Standard white colour (STDW) / for other colours: contact us

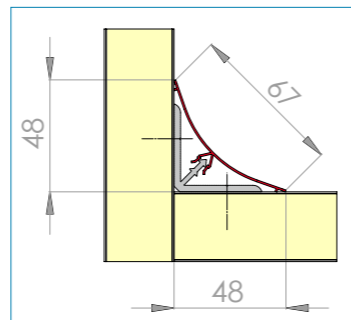
CI902	CW903	CW910
-------	-------	-------



Use hygienic sealant



Model	EX.11
Part Code	0602.00002.xxx
Size A	65 mm
Length	4 M
MOQ Packing	2400 M/ pal (+n x 120 M)
Multi-packing	2400 M/ pal (=20 x 120 M)
Backing profiles	EX.28 • EX.41 • Hoekalu.35 • Hoekalu.30
Availability	on request



Medium PVC Internal Corner Cap

• Standard white colours (STDW) / for other colours: contact us

CI902	CW903	CW910
-------	-------	-------

Model	INJ.380
Part Code	0602.00003.xxx
Compatible with	EX.54 & EX.11
MOQ Packing	50 pcs (= 5 x 10 pcs)
Availability	standard

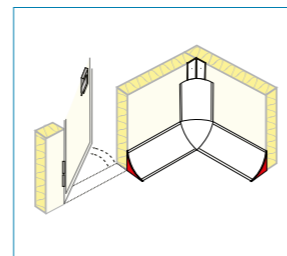


Medium PVC End Cap

• Standard White colours (STDW) / for other colours: contact us

CI902	CW903	CW910
-------	-------	-------

Model	INJ.352C
Part Code	0602.00004.xxx
Compatible with	EX.54
MOQ Packing	100 pcs (= 10 x 10 pcs)
Multi - Packing	3500 pcs (= 35 x 100 pcs)
Availability	standard

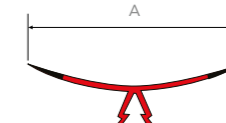


SMALL PVC COVINGS

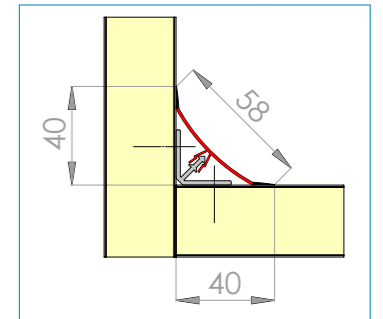
Small PVC Rounded Corner Profile with Soft Edges

• Standard white colours (STDW) / for other colours: contact us

CI902	CW903	CW910
-------	-------	-------



Model	EX.40
Part Code	0603.00001.xxx
Size A	60 mm
Length	4 M
MOQ Packing	120 M/ box
Multi-packing	3360 M/pal (= 28 x 120 M)
Backing profiles	EX.41 • EX.42 • EX.146 • Hoekalu. 30
Availability	standard



Small PVC Internal Corner Cap

• Standard white colours (STDW) / for other colours: contact us

CI902	CW903	CW910
-------	-------	-------

Model	INJ.192
Part Code	0603.00002.xxx
MOQ Packing	100 pcs (= 10 x 10 pcs)
Availability	standard



Small PVC External Corner Cap

• Standard white colours (STDW) / for other colours: contact us

CI902	CW903	CW910
-------	-------	-------

Model	INJ.298
Part Code	0603.00003.xxx
MOQ Packing	100 pcs (= 10 x 10 pcs)
Availability	standard

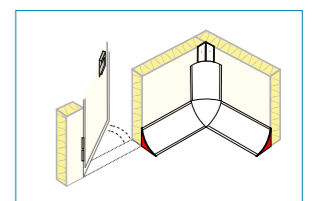


Small PVC End Cap

• Standard white colours (STDW) / for other colours: contact us

CI902	CW903	CW910
-------	-------	-------

Model	INJ.352B
Part Code	0603.00004.xxx
MOQ Packing	100 pcs (= 10 x 10 pcs)
Availability	standard

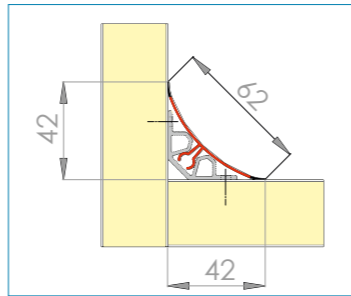
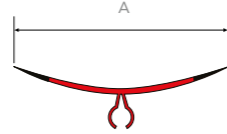


SMALL PVC COVING

Small PVC Rounded Corner Profile with Soft Edges

• Standard white colour (STDW) / for other colours: contact us

CW910	
Model	EX.160
Part Code	0603.00009.010
Size A	62 mm
Length	4 M
MOQ Packing	2400 M/ box (+n x 120 M)
Multi-packing	2400 M/pal
Backing profiles	EX.161
Availability	standard



Small PVC Internal Corner Cap

• Standard white colour (STDW) / for other colours: contact us

CW910	
Model	INJ.192
Part Code	0603.00002.018
MOQ Packing	100 pcs (= 10 x 10 pcs)
Availability	standard



Small PVC External Corner Cap

• Standard white colour (STDW) / for other colours: contact us

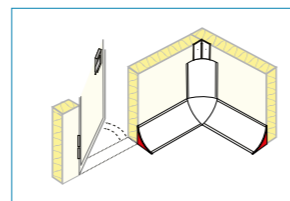
CW910	
Model	INJ.298
Part Code	0603.00003.018
MOQ Packing	100 pcs (= 10 x 10 pcs)
Availability	standard



Small PVC End Cap

• Standard white colour (STDW) / for other colours: contact us

CW910	
Model	INJ.352B
Part Code	0603.00004.018
MOQ Packing	100 pcs (= 10 x 10 pcs)
Availability	standard



ALU COVINGS

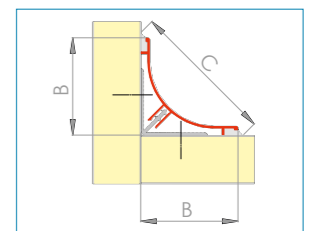
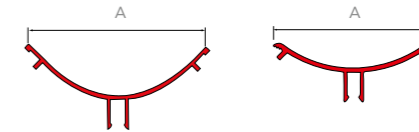


Use hygienic sealant

ALU Rounded Corner Profiles

• Standard white colours: (STDW)
• Contact us for natural anodised or other white colours

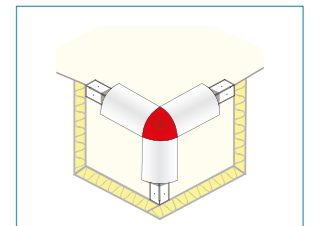
CI902	CW903		
Model	ANGARALU.01	ANGARALU.02	
Part Code	0601.00101.xxx	0601.00105.xxx	
Size A	80 mm	60 mm	
Size B	60 mm	45 mm	
Size C	88 mm	65 mm	
Length	4 M	4 M	
MOQ Packing	128 M (+n x 32 M)	128 M (+n x 32 M)	
Multi-packing	384 M/pal (= 12 x 32 M)	640 M/pal (= 20 x 32 M)	
Backing profiles	HOEKALU.40	HOEKALU.30	
Availability	standard	standard	



ALU Internal Corner Cap

• Standard white colours: (STDW)

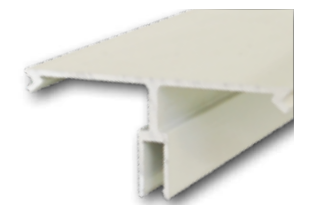
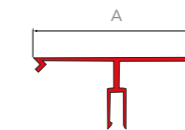
CI902	CW903		
Model	ANGARCOQ.01	ANGARCOQ.02	
Part Code	0601.00102.xxx	0601.00106.xxx	
Compatible with	ANGARALU.01	ANGARALU.02	
MOQ Packing	100 pcs (+n x 10 pcs)	100 pcs (+n x 10 pcs)	
Availability	standard	standard	



ALU Large Flat Corner Profile

• Standard white colours: contact us
• Stock: contact us for availability

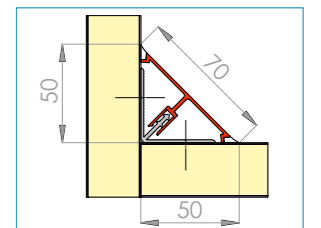
Model	FCALU.01		
Part Code	0601.00103.xxx		
Compatible with	HOEKALU.40		
Size A	65 mm		
Length	4 M		
MOQ Packing	to be confirmed		
Availability	on request		



ALU Large Flat Internal Corner

• Standard colours: contact us
• Stock: contact us for availability

Model	FCCOQ.01		
Part Code	0601.00106.xxx		
MOQ Packing	200 pcs/ box		
Availability	on request		



Subject to any changes - CAT: COOL_2018-102-00560.000-v2

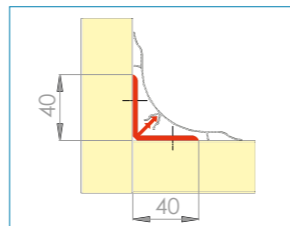
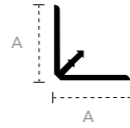
CAT: COOL_2018-102-00560.000-v2 - Subject to any changes

BACKING PROFILES

PVC 40x40 mm L-backing Profile

- Can be used with industrial panels
- Standard colour = any white (CWX) or any grey (*)
- For other colours: contact us

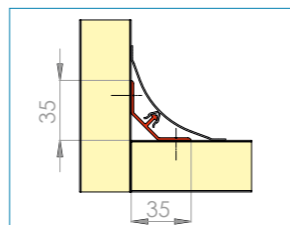
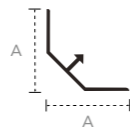
Model	EX.28
Part Code	0601.00005.xxx
Size A	40 x 40 mm
Length	4 M
MOQ Packing	120 M/ box
Multi-packing	1920 M/pal (= 16 x 120 M)
Availability	standard



PVC 35x35 mm L-backing Profile

- Typical for camlock panels
- Standard colour = any white (CWX) or any grey (*)
- For other colours: contact us

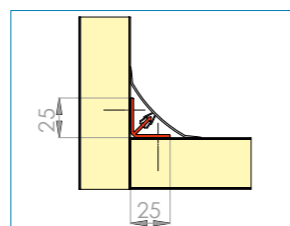
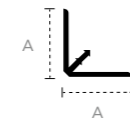
Model	EX.53
Part Code	0602.00005.xxx
Size A	35 x 35 mm
Length	4 M
MOQ Packing	120 M/ box
Multi-packing	3360 M/pal (= 28 x 120 M)
Availability	standard



PVC 25x25 mm L-backing Profile

- Standard colour = any white (CWX) or any grey (*)

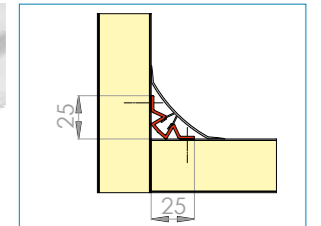
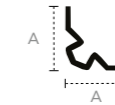
Model	EX.41
Part Code	0603.00005.xxx
Size A	25 x 25 mm
Length	4 M
MOQ Packing	120 M/ box
Multi-packing	3360 M/pal (= 28 x 120 M)
Availability	standard



PVC 25x25 mm V-backing Profile

- Standard colour = any white (CWX) or any grey (*)

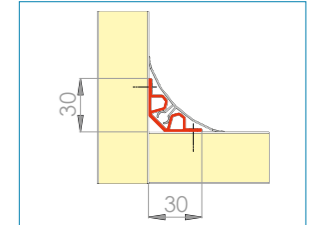
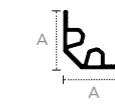
Model	EX.42
Part Code	0603.00006.034
Size A	25 x 25 mm
Length	4 M
MOQ Packing	3360 M (= 28 x 120 M)
Multi-packing	3360 M/pal (= 28 x 120 M)
Availability	on request



PVC 25x25 mm V-backing Profile

- Standard colours = any white (CWX) or any grey (*)

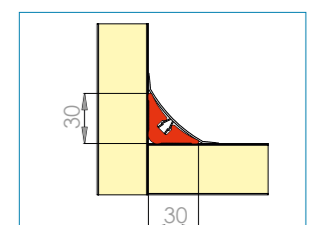
Model	EX.161
Part Code	0603.00010.000
Only compatible with	EX.160
Size A	30 x 30 mm (dikte 2mm)
Length	4 M
MOQ Packing	2400 M (+n x 120 M)
Multi-packing	2400 M/pal (= 20 x 120 M)
Availability	standard



Expanded PVC Profile 30x30 mm - pre drilled

- Standard colour = any white (CWX) or any grey (*)
- Combined with the rounded corner EX.40, the EX.146 offers the most hygienic coving solution

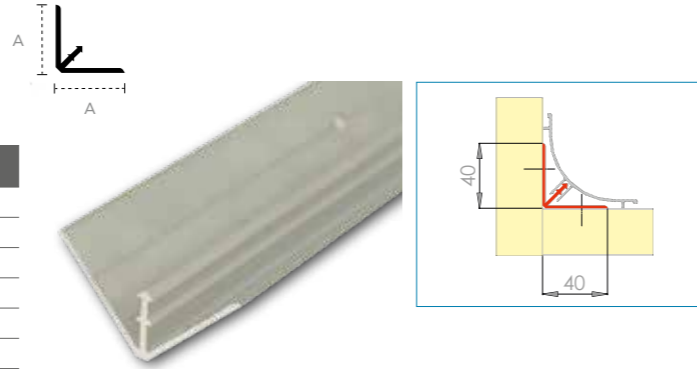
Model	EX.146
Part Code	0603.00008.034
Only compatible with	EX.40
Size A	30 x 30 mm
Length	4 M
MOQ Packing	3360 M (+n x 120 M)
Multi-packing	3360 M/pal (= 28 x 120 M)
Availability	on request



ALU 40x40 mm L-backing Profile

- **HEAVY-DUTY**
- Pre-drilled for easy and fast installation
- Standard colours: Aluminium natural material

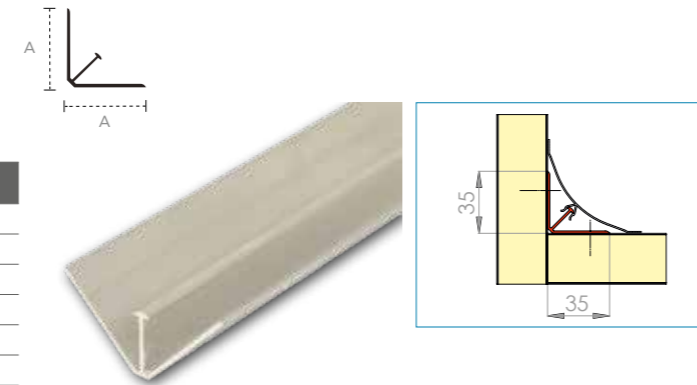
Model	HOEKALU.40
Part Code	0601.00104.xxx
Size A	40 x 40 mm
Length	4 M
MOQ Packing	120 M
Multi-packing	1200 M/pal (= 10 x 120 M)
Availability	standard



ALU 35x35 mm L-backing Profile

- Standard colours: Aluminium natural material

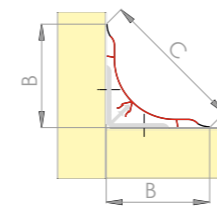
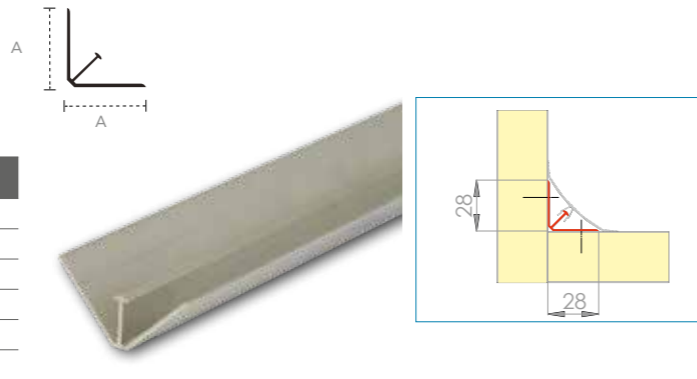
Model	HOEKALU.35
Part code	0602.00006.xxx
Size A	35 x 35 mm
Length	4 M
MOQ Packing	120 M
Multi-packing	1200 M/pal (= 10 x 120 M)
Availability	standard



ALU 28x28 mm L-backing Profile

- Standard colours: Aluminium natural material

Model	HOEKALU.30
Part Code	0603.00007.xxx
Size A	28 x 28 mm
Length	4 M
MOQ Packing	120 M
Multi-packing	1200 M/pal (= 10 x 120 M)
Availability	standard



	PVC Covings					ALU Covings		
Model	EX.14	EX.54	EX.11	EX.40	EX.160	ANGARALU.01	ANGARALU.02	FCALU.01
Part Code	0601.00001.xxx	0602.00001.xxx	0602.00002.xxx	0603.00001.xxx	0603.00009.xxx	0601.00101.xxx	0601.00105.xxx	0601.00103.xxx

PVC Backing			x = compatible (x) = possible without accessories									
Model	Part Code	mm	A (mm)	EX.14	EX.54	EX.11	EX.40	EX.160	ANGARALU.01	ANGARALU.02	FCALU.01	
			B (mm)	65	55	48	40	42	60	45	50	
			C (mm)	90	78	67	58	60	88	65	70	
EX.28	0601.00005.xxx	40 x 40		x	x	x	-	-				
EX.53	0602.00005.xxx	35 x 35		x	x		-	-				
EX.41	0603.00005.xxx	25 x 25		(x)	x	x	x	-				
EX.42	0603.00006.034	25 x 25		-	-	-	x	-	-	-	-	
EX.161	0603.00010.xxx	31 x 31		-	-	-	-	x	-	-	-	
EX.146	0603.00008.034	30 x 30		-	-	-	x	-	-	-	-	
ALU Backing												
HoekALU.40	0601.00104.xxx	40 x 40		x	x		-	-	x		x	
HoekALU.35	0602.00006.xxx	35 x 35		x	x	x	-					
HoekALU.30	0603.00007.xxx	28 x 28		(x)	(x)	x	x	-		x		
Internal Corner Cap												
INJ. 59	0601.00002.xxx	PVC		x								
INJ. 380	0602.00003.xxx	PVC			x	x						
INJ. 192	0603.00002.xxx	PVC					x	x				
ANGARCOQ.01	0601.00102.xxx	ALU							x			
ANGARCOQ.02	0601.00106.xxx	ALU								x		
FCCOQ.01	0601.00103.xxx	ALU									x	
External Corner Cap												
INJ. 297	0601.00003.xxx	PVC		x								
INJ. 298	0603.00003.xxx	PVC					x	x				
End Cap												
INJ. 352A	0601.00004.xxx	PVC		x								
INJ. 352C	0602.00004.xxx	PVC			x							
INJ. 352B	0603.00004.018	PVC					x	x				

Subject to any changes - CATI COOL 2018-102-00560-000-42

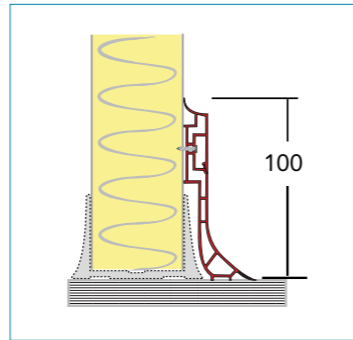
PLINTH PROFILES

PVC Plinth with Soft Edges EX.15

- Double skin
- Invisible screw fixing feature
- Standard white colours: (STDW) / for other colours: contact us

CI902	CW903	CW910
-------	-------	-------

Model	EX.15
Part Code	0605.00001.xxx
Length	4 M
MOQ Packing	80 M/ box
Multi-packing	1280 M/pal (= 16 x 80 M)
Availability	standard

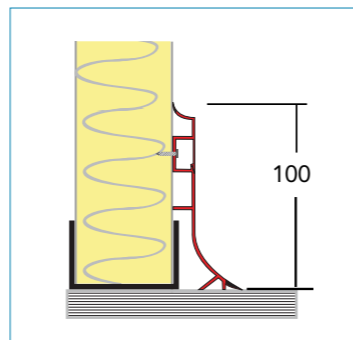


PVC Plinth with Soft Edges EX.80

- Single skin
- Invisible screw fixing feature
- Standard white colours: (STDW) / for other colours: contact us

CI902	CW903	CW910
-------	-------	-------

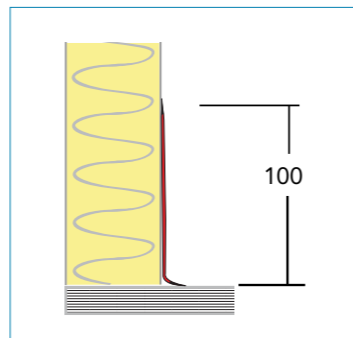
Model	EX.80
Part Code	0605.00002.xxx
Length	4 M
MOQ Packing	80 M/ box
Multi-packing	1280 M/pal (= 16 x 80 M)
Availability	standard



PVC Plinth with Soft Edges EX.135

- Can be glued
- Standard colours: contact us

Model	EX.135
Part Code	0605.00003.xxx
Length	4 M
MOQ Packing	2800 M (+n x 200 M)
Availability	on request



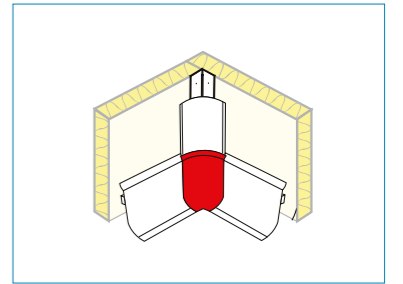
PLINTH ACCESSORIES

PVC Internal Corner

- To be used in combination with a vertical coving profile - not visible fixing
- Standard white colours (STDW) / for other colours: contact us

CI902	CW903	CW910
-------	-------	-------

Model	INJ.31
Part Code	0605.00004.xxx
Compatible with	EX.15
MOQ Packing	52 pcs (= 13 x 4 pcs)
Availability	standard

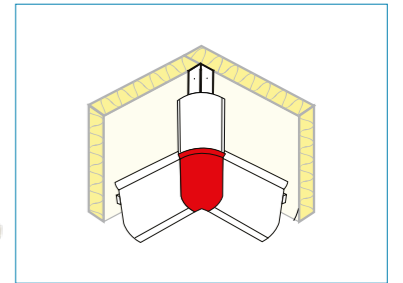


PVC Upper Piece Accessory

- To be used in combination with INJ.31 without vertical coving profile - not visible fixing
- Standard white colours (STDW) / for other colours: contact us

CI902	CW903	CW910
-------	-------	-------

Model	INJ.91
Part Code	0605.00005.xxx
Compatible with	INJ.31
MOQ Packing	100 pcs (= 25 x 4 pcs)
Availability	standard

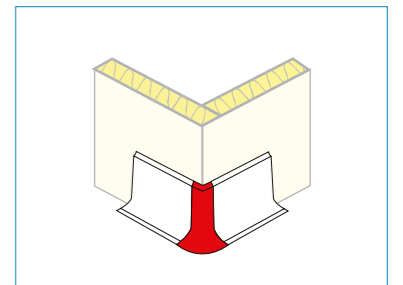


PVC External Corner Cap

- Not visible fixing
- Standard white colours (STDW) / for other colours: contact us

CI902	CW903	CW910
-------	-------	-------

Model	INJ.88
Part Code	0605.00006.xxx
Compatible with	EX.15
MOQ Packing	52 pcs (= 13 x 4 pcs)
Availability	standard

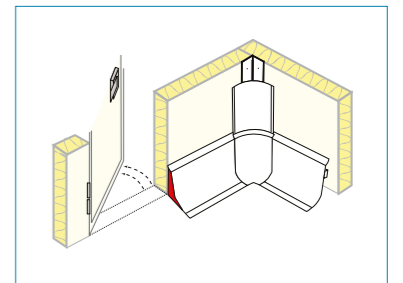


PVC End Cap

- Standard white colours (STDW) / for other colours: contact us

CI902	CW903	CW910
-------	-------	-------

Model	INJ.21
Part Code	0605.00007.xxx
Compatible with	EX.15
MOQ Packing	100 pcs (10 x (5L+5R))
Availability	standard



OTHER SKIRTING

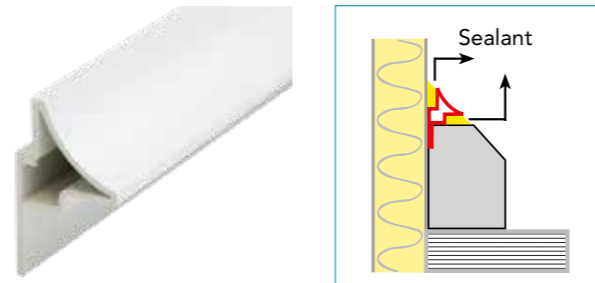
Hygienic PVC or ALU Concrete Plinth

- PVC: standard white colours (STDW)

CI902	CW910
-------	-------

- ALU: standard colours, on request

Model	EX.10	SCPALU.01
Part Code	0606.00001.xxx	0606.00002.xxx
Material	PVC	ALU
Length	4 M	4 M
Packing	120 M/box	to be confirmed
Multi-packing	3360 M/pal	to be confirmed
Availability	standard	on request

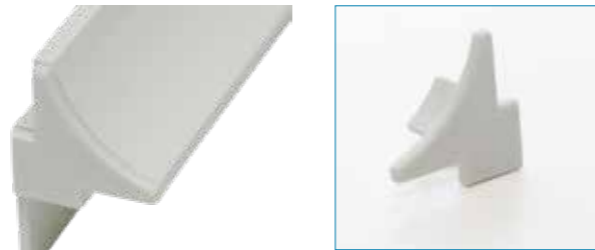


PVC End Cap

- Standard white colours (STDW)

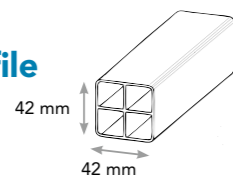
CI902	CW910
-------	-------

Model	INJ.229B
Part Code	0606.00003.xxx
Compatible with	EX.10
MOQ Packing	50 pcs (= 5 x 10 pcs)
Availability	standard

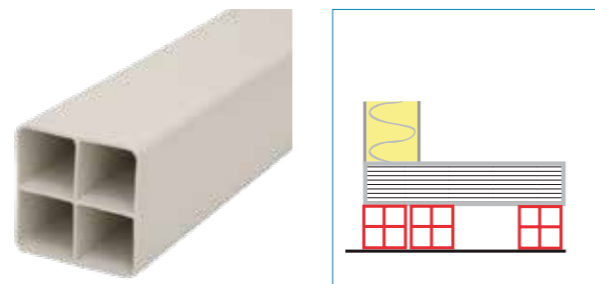


PVC Floor Ventilation Profile

- Colour - Neutral white (CWX)
- Black: on request



Model	EX.16
Part Code	0606.00006.xxx
Length	4 M
MOQ Packing	144 M (+n x 36 M)
Multi-packing	1152 M (= 32 x 36 M)
Availability	standard



PVC U CHANNEL PROFILES

PVC Rounded U channel

Convenient for foodsafe partitioning inside coldrooms

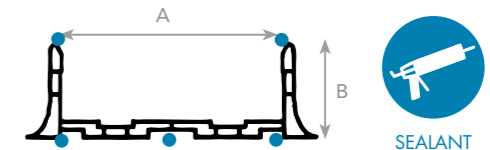
- The edge detail of the 'U' channel allows easy panel insertion.
- The joint to be finished with a sealant if this is required.

Full compatibility with Plinth Profiles EX.15 and EX.80

- The U channels have a rounded edge profile for an optimized hygienic cleaning.
- In case of "high level" hygienic cleaning requirements, EX.15 or EX.80 plinths can be aesthetically added.

- Standard white colours (STDW)

CI902	CW903	CW910
-------	-------	-------



Model	EX.04	EX.49	EX.05	EX.06	EX.23
Part Code	0607.00001.xxx	0607.00002.xxx	0607.00003.xxx	0607.00004.xxx	0607.00005.xxx
Size A	60 mm	75 mm	80 mm	100 mm	120 mm
Size B	45 mm	45 mm	45 mm	45 mm	45 mm
Length	3 M	3 M	3 M	3 M	3 M
MOQ packing	120 M (40 x 3 M)	1620 M (540 x 3 M)	135 M (45 x 3 M)	126 M (42 x 3 M)	1512 M (502 x 3 M)
Multi-packing	540 M/pal (=180 x 3M)	1620 M/pal	540 M/pal (180 x 3M)	504 M/pal (168 x 3M)	1512 M/pal
Availability	standard	on request	standard	standard	on request

PVC 90° Connection corner profile for rounded U channel

- Standard white colours (STDW)

CI902	CW910
-------	-------

Model	INJ.81	INJ.248
Part Code	0607.00006.xxx	0607.00008.xxx
Compatible with	EX.04	EX.05
Size	150 x 150 x 60 mm for EX.04	150 x 150 x 80 mm for EX.05
Packing	84 pcs/ box	72 pcs/ box
Availability	standard	standard

PVC End cap for rounded U channel

- Standard white colours (STDW)

CI902	CW903	CW910
-------	-------	-------

Model	INJ.229
Part Code	0607.00009.xxx
Compatible with	EX.04 • EX.49 • EX.05 • EX.04 • EX.23
MOQ Packing	50 pcs (=5 x (5L + 5R))
Availability	standard



PVC ASYMMETRIC U CHANNEL

Better than U Channels made from bent steel sheet, you don't risk to scratching off the panel coating.

The asymmetric U channel is very convenient to use

- You slide the panel by the small side of the U channel profile till it touches the bigger back side
- Then you "rotate" the panel upright

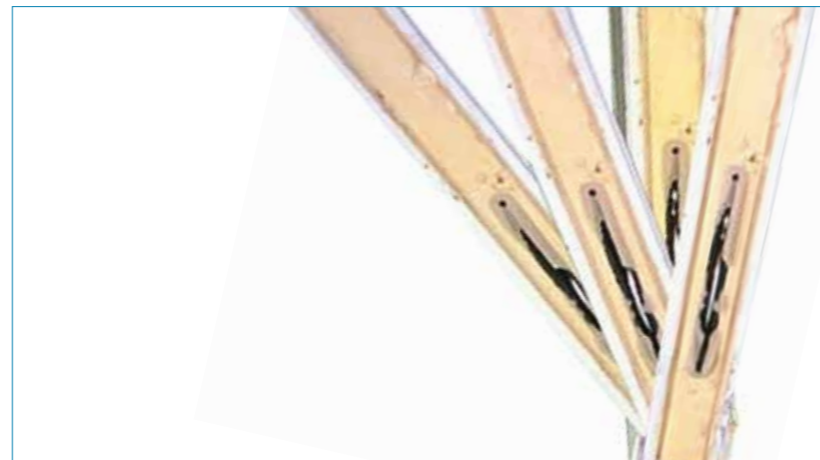
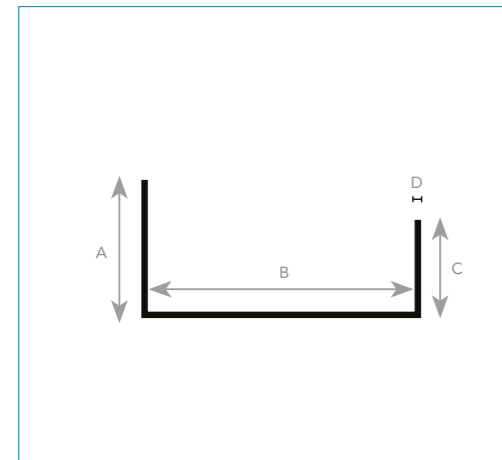
• Standard white colours (STDW)



- Neutral white = Any white for hidden use (*)
= Part codes = 0608.0000x.081



• For other colours and stock availability: please contact us

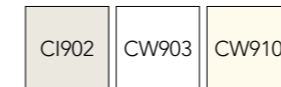


Model	EX.68	EX.64	EX. 94	EX.65	EX.66	EX.67
Part Code	0608.00001.xxx	0608.00002.xxx	0608.00006.xxx	0608.00003.xxx	0608.00004.xxx	0608.00005.xxx
Size A	50 mm	50 mm	50 mm	50 mm	50 mm	50 mm
Size B	50 mm	60 mm	63 mm	75 mm	80 mm	100 mm
Size C	30 mm	30 mm	30 mm	30 mm	30 mm	30 mm
Thickness D	2,5 mm	2,5 mm	2,5 mm	2,5 mm	2,5 mm	2,5 mm
Length	4 M	4 M	4 M	4 M	4 M	4 M
MOQ packing	1536 M (+n x 4 M)	1560 M (+n x 4 M)	1568 M (+n x 4 M)	1536 M (+n x 4 M)	1584 M (+n x 4 M)	1520 M (+n x 4 M)
Multi-packing	1536 M	1560 M	1568 M	1536 M	1584 M	1520 M
Availability	on request	on request	on request	on request	on request	on request

Subject to any changes - CAT: COOL_2018-102-00560.000-v2

PVC SYMMETRIC U CHANNEL

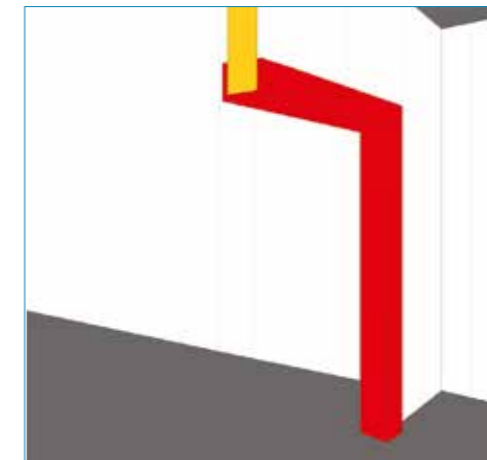
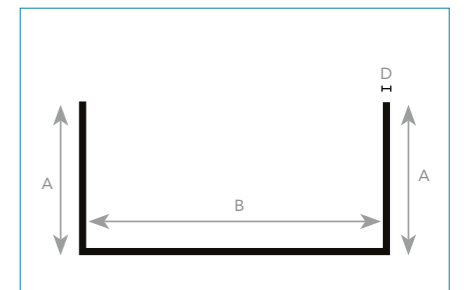
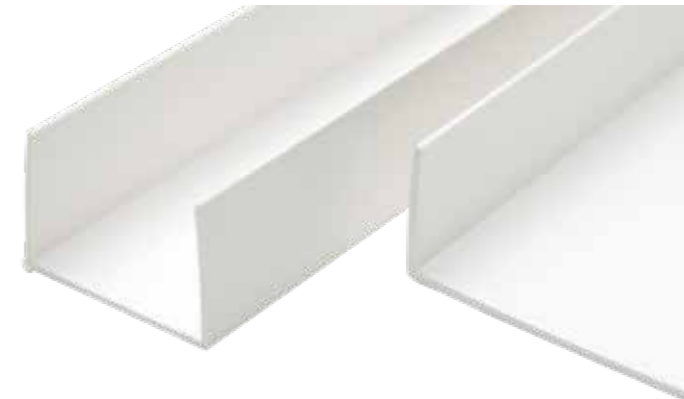
- Can be used for doorway finish or to cover cuts in industrial panels
- See frames in Castel Hardware range
- Standard white colours (STDW)



- Neutral white = any white for hidden use (*)
= Part codes = 0609.0000x.081



• For other colours and stock availability: please contact us



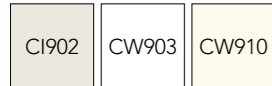
Model	EX.101	EX.102	EX.103	EX.104	EX.106	EX.107	EX.108
Part Code	0609.00001.xxx	0609.00002.xxx	0609.00003.xxx	0609.00004.xxx	0609.00006.xxx	0609.00007.xxx	0609.00008.xxx
Size A	30 mm	30 mm	30 mm	30 mm	30 mm	30 mm	30 mm
Size B	30 mm	40 mm	50 mm	60 mm	80 mm	100 mm	125 mm
Thickness D	1,5 mm	1,5 mm	1,5 mm	1,5 mm	2 mm	2 mm	2 mm
Length	4 M	4 M	4 M	4 M	4 M	4 M	4 M
MOQ packing	1512 M (+n x 4 M)	1512 M (+n x 4 M)	1496 M (+n x 4 M)	1560 M (+n x 4 M)	1496 M (+n x 4 M)	1512 M (+n x 4 M)	1512 M (+n x 4 M)
Multi-packing	1512 M	1512 M	1496 M	1560 M	1496 M	1512 M	1512 M
Availability	on request	on request	on request	on request	on request	on request	on request

CAT: COOL_2018-102-00560.000-v2 - Subject to any changes

MOQ = Minimum Order Quantity / * = Slight variation may be noticed between production batches / n = number

PVC L-COVERING PROFILES

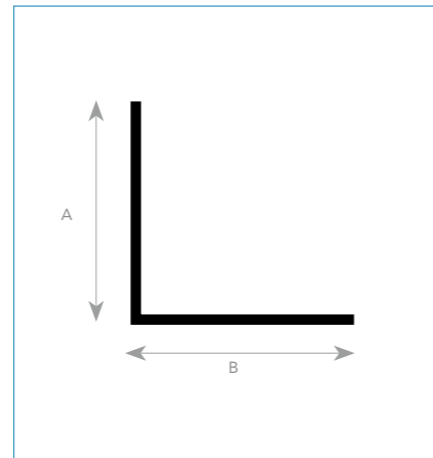
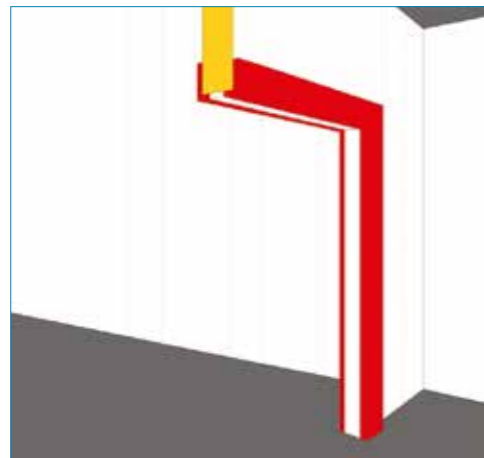
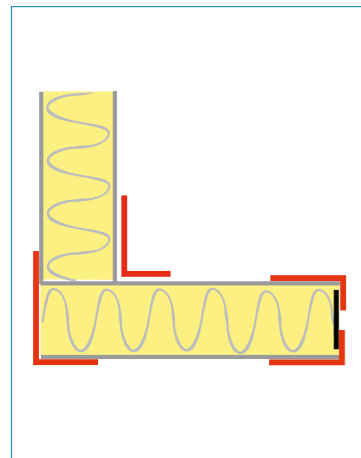
- Standard white colours (STDW)



- Neutral white = any white for hidden use (*)
= Part codes = 0608.0000x.146



- For other colours and stock availability: please contact us



Model	EX.111	EX.112	EX.113	EX.114	EX.115	EX.116
Part Code	0610.00001.xxx	0610.00002.xxx	0610.00003.xxx	0610.00004.xxx	0610.00005.xxx	0610.00006.xxx
Size A	30 mm	40 mm	50 mm	60 mm	50 mm	50 mm
Size B	30 mm	40 mm	50 mm	60 mm	100 mm	100 mm
Thickness D	1 mm	1,2 mm	1,4 mm	2 mm	2 mm	3 mm
Length	4 M	4 M	4 M	4 M	4 M	4 M
MOQ Packing	1520 M (+n x 40M)	1520 M (+n x 40M)	1520 M (+n x 40M)	1520 M (+n x 40M)	1520 M (+n x 40M)	1520 M (+n x 40M)
Multi - Packing	TBC	TBC	TBC	TBC	TBC	TBC
Availability	on request	on request	on request	on request	on request	on request

Bumper Panel Protections

Profile odbojowe
Parachoques - Protección de Paneles
Бампер - Ограждения панели
Pare-chocs - Protection de Panneaux

PVC HEAVY-DUTY BUMPER RAIL

Heavy-Duty Bumper Rail

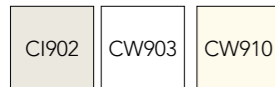
High impact absorption

- The Heavy-Duty Bumper Rail is made from very rigid PVC which makes it resistant to high impacts.
- Invisible screw fixing feature thanks to the cosmetic stripe.
- Ideal for frequent traffic zones

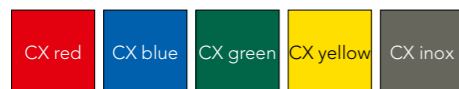
Wide range of colours

- Combinations possible between all standard colours
- Cosmetic stripes: see our standard colours

- Standard white colours (STDW)

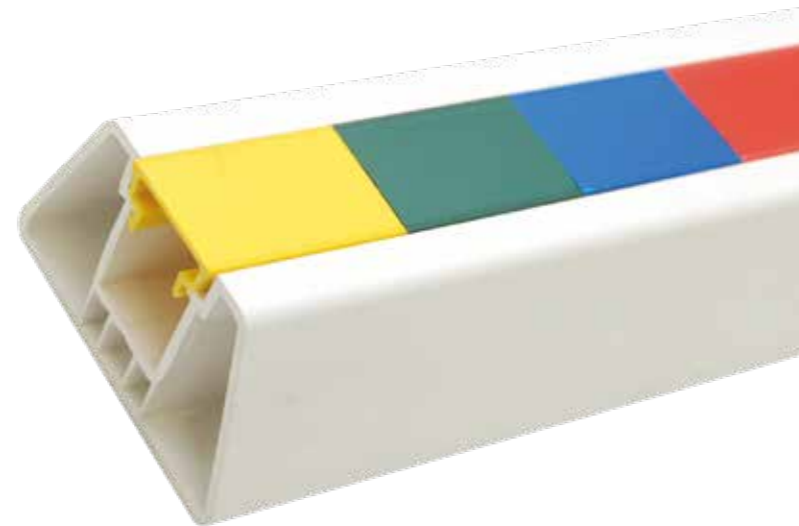
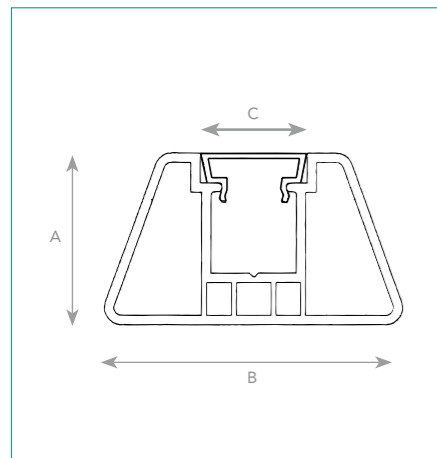


- Colours on request (CX)



Inox= stainless steel look

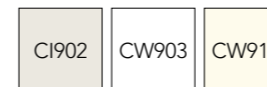
- For other colours & stock availability: please contact us



Model	EX.81-82
Part Code	0611.00001.xxx
Size A	40 mm
Size B	70 mm
Size C	25 mm
Length	4 M
MOQ Packing	40 M/ box
Multi-packing	640 M/pal (16 x 40 M)
Availability	standard

End Cap

- Combine 2 end caps for an internal corner
- Standard white colours (STDW)



Model	INJ.296
Part Code	0611.00002.xxx
MOQ Packing	52 pcs (13 x 4 pcs)
Availability	standard



Ceiling Suspensions

Profile podwieszenia sufitu
Suspensiones de Techos
Подвесные системы потолка
Suspensions de Plafonds

GALVANISED POWDER-COATED STEEL

T-Ceiling Suspension Profile

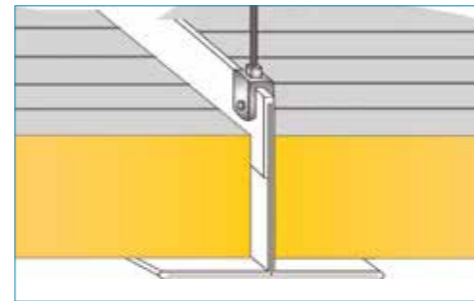
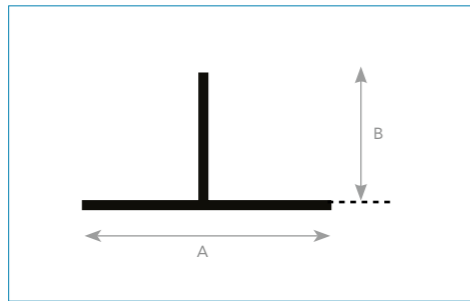
FIRE RESISTANT

- For sandwich panels with fire resistance rating
- Galvanised powder-coated steel
- Standard white colours (STDW)



CI902	CW903
-------	-------

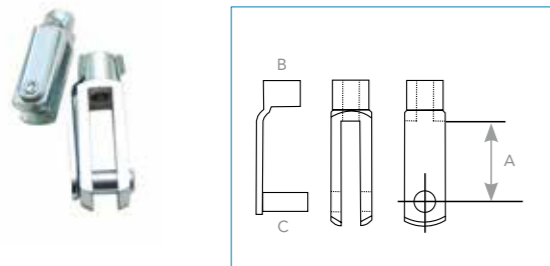
- Other colours: contact us



Model	TST.01
Part Code	0613.00201.xxx
Size A	130 mm
Size B	67 mm
Length	4 M
MOQ Packing	52 M (+n x 4M)
Multi-Packing	168 M/pal (= 42 x 4 M)
Availability	standard

Galvanised Steel Fixations

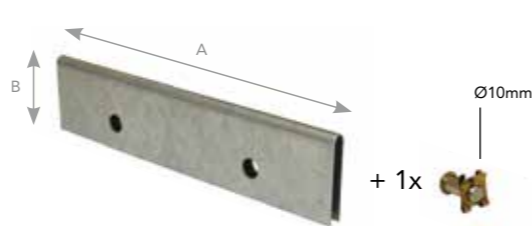
- For TST.01 & T-suspension profiles



Model	A.88	A.98
Part Code	0613.00504.128	0613.00516.128
A	40 mm	40 mm
B	M10	M12
C	Ø10 mm	Ø10 mm
MOQ Packing	50 pcs/ box	50 pcs/ box
Availability	standard	standard

Connector Plate & Pin

- For TST.01 & T-suspension profiles



Model	TST.CON
Part Code	0613.0054.xxx
MOQ Packing	42 sets/ box
A	200 mm
B	46 mm
Availability	standard

Subject to any changes - CATI COOL 2018-102-00560.000-02

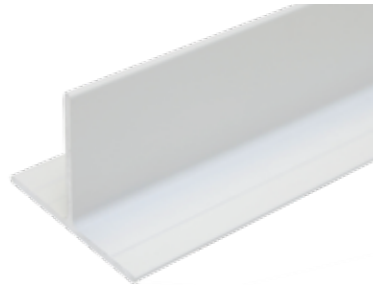
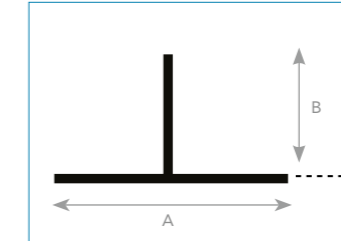
ALU & GLASS FIBRE-REINFORCED

ALU T-Ceiling Suspension Profile

- For sandwich panels
- ALU
- Standard white colours (STDW)

CI902	CW903
-------	-------

- Other colours/lengths: contact us

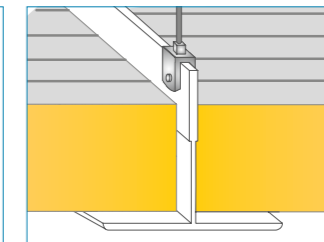
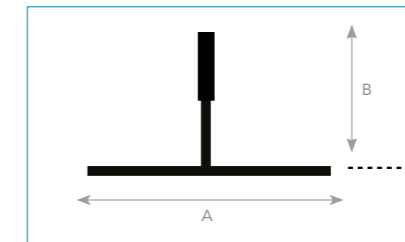


Model	T.ALU.01
Part Code	0613.00101.xxx
Size A	84 mm
Size B	64 mm
Length	4 M
MOQ Packing	104 M (+n x 8M)
Multi-Packing	280 M/pal (= 35 x 8M)
Availability	standard

Glass fibre-reinforced polyester T-Ceiling Suspension Profile

- Polyester composite material
- Glass fibre-reinforced
- **Thermal break feature**
- Standard white colours (STDW)

CI902	CW903
-------	-------



Model	PUL.01	PUL.02
Part Code	0613.00001.xxx	0613.00002.xxx
Size A	80 mm	80 mm
Size B	80 mm	200 mm
Length	4 M	4 M
MOQ packing	104M (+n x 4M)	1000M (+n x 4M)
Multi-Packing	TBC	TBC
Availability	standard	on request

CATI COOL 2018-102-00560.000-02 - Subject to any changes

MOQ = Minimum Order Quantity / n = number / TBC = To Be Confirmed

It's the customer's responsibility to check, handle and install the products in compliance with the building regulations, with the safety factors and according to the professional know-how in application at the location of installation. Technical data available upon written request.

ALU CEILING SUSPENSION

ALU T OMEGA Ceiling Suspension Profile

WITH THERMAL BREAK

- For sandwich panels
- Aluminium
- Standard white colours (STDW)



- Other colours/lengths: contact us



Model	TH.ALU.01	TH.ALU.02
Part Code	0613.00105.xxx	0613.00106.xxx
Size A	105 mm	135 mm
Size B	24 mm	24 mm
Length	4 M	4 M
MOQ Packing	104 M (+n x 8M)	104 M (+n x 8M)
Multi-packing	416 M/pal (= 52 x 8M)	240 M/pal (= 30 x 8M)
Availability	standard	standard

Thermal Fixations

- For TH.ALU profiles



Model	A.325	A.A325
Part Code	0613.00512.xxx	0613.00513.xxx
Material	Overinjected ALU	Overinjected ALU
Thread	M10	M08
MOQ Packing	50 pcs/ box	50 pcs/ box
Availability	standard	standard

Thermal connectors

- For TH.ALU profiles



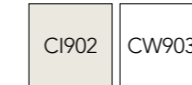
Part Code	A.326	A.A326
Part Code	0613.00514.xxx	0613.00515.xxx
Material	Overinjected ALU	Overinjected ALU
Thread	M10	M08
MOQ Packing	50 pcs/ box	50 pcs/ box
Availability	standard	standard

Subject to any changes - CAT: COOL 2018-102-00560-000-v2

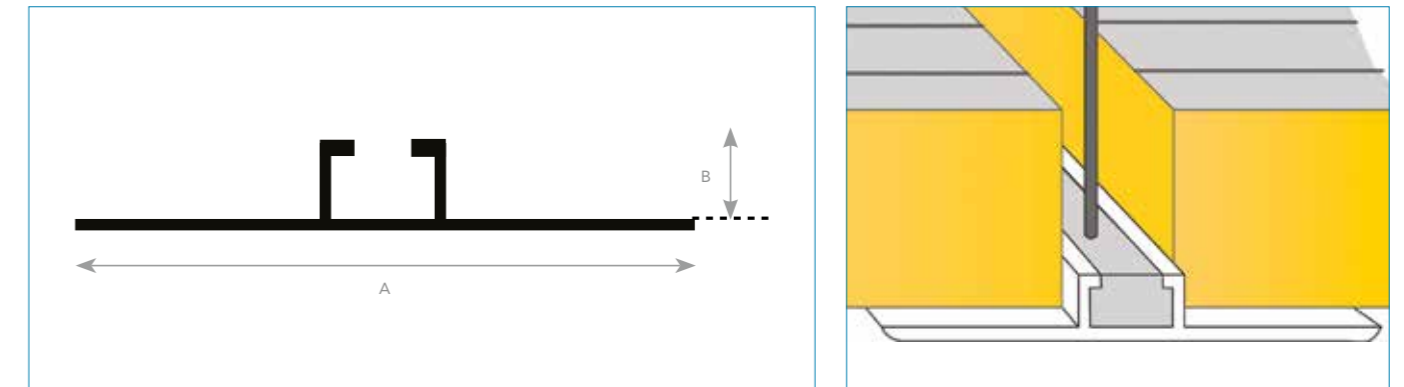
ALU CEILING SUSPENSION

ALU T-Ceiling OMEGA Suspension Profile

- For sandwich panels
- Aluminium
- Standard white colours (STDW):



- Other colours/lengths: contact us



Model	T.O.ALU.01	T.O.ALU.02
Part Code	0613.00103.xxx	0613.00104.xxx
Size A	100 mm	135 mm
Size B	20 mm	20 mm
Length	4 M	4 M
MOQ Packing	104 M (+n x 8M)	104 M (+n x 8M)
Multi-packing	440 M/pal (= 55 x 8M)	240 M/pal (= 30 x 8M)
Availability	standard	standard

Fixation

- For T.O.ALU profile



Model	A.315	A.A315
Part Code	0613.00507.xxx	0613.00508.xxx
Material	ALU	ALU
Thread	M10	M08
MOQ Packing	50 pcs/ box	50 pcs/ box
Availability	standard	standard

MOQ = Minimum Order Quantity / n = number

Alu Connector

- For T.O.ALU profile



Model	A.316	A.A316
Part Code	0613.00509.xxx	0613.00510.xxx
Material	ALU	ALU
Thread	M10	M08
MOQ Packing	50 pcs/ box	50 pcs/ box
Availability	standard	standard

It's the customer's responsibility to check, handle and install the products in compliance with the building regulations, with the safety factors and according to the professional know-how in application at the location of installation. Technical data available upon written request.

CAT: COOL 2018-102-00560-000-v2 - Subject to any changes

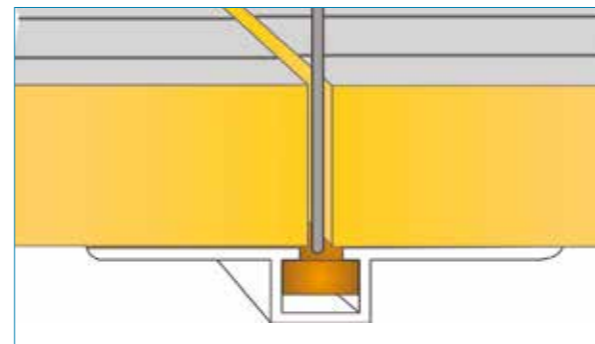
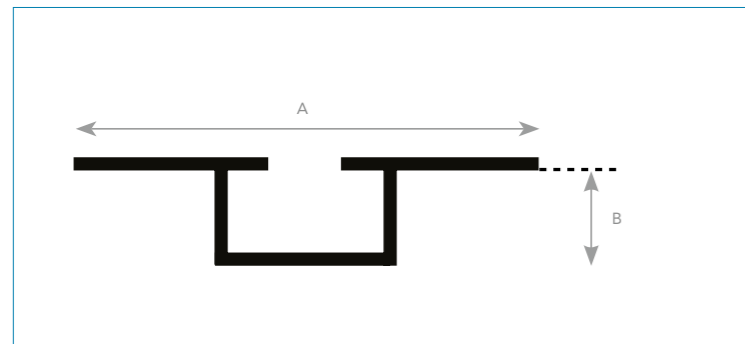
ALU CEILING SUSPENSION

ALU OMEGA-Ceiling Suspension Profile*

- For sandwich panels
- Aluminium
- Standard white colours (STDW):

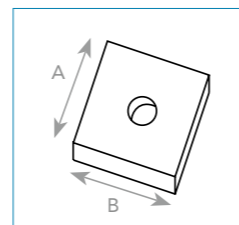


- Other colours/lengths: contact us



Model	OMEGALU.01
Part Code	0613.00105.xxx
Size A	130 mm
Size B	29 mm
Length	6 M
MOQ Packing	216 M (+n x 216 M)
Multi-Packing	216 M (=18 x 12 M)
Availability	standard

Steel Nut

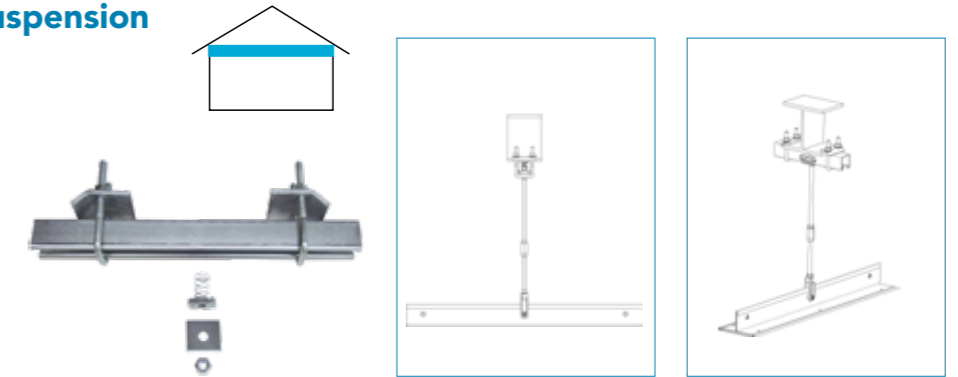


Model	A.95*
Part Code	0613.00502.128
Thread	M10
Size A	40 mm
Size B	40 mm
Thickness	12 mm
MOQ Packing	50 pcs/ box
Availability	standard

FIXATIONS

Fixation Kit for Ceiling Suspension Fix 01

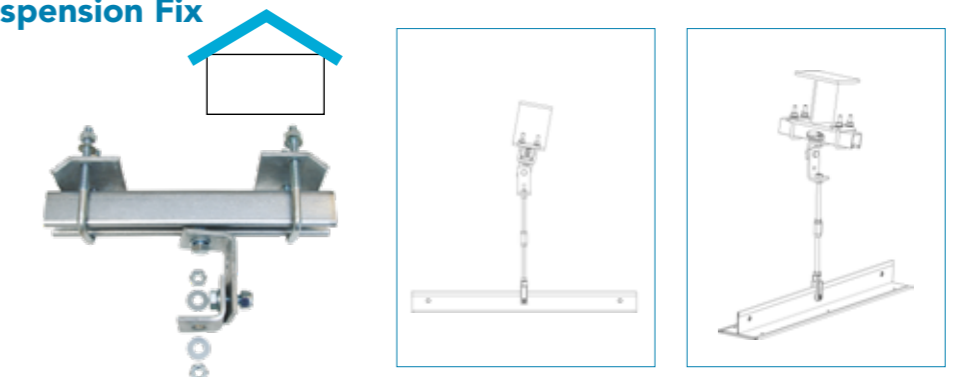
- Flat ceiling
- M10 thread size



Model	FIX.01
Part Code	0614.00001.129
MOQ Packing	50 sets (+n x 1 set)
Availability	standard

Fixation kit for Ceiling Suspension Fix 02

- Ceiling in slope
- M10 thread size



Model	FIX.02
Part Code	0614.00002.130
MOQ Packing	50 sets (+n x 1set)
Availability	standard

Fixation for Ceiling Suspension

- Steel Beam Clamp



Model	FIX.03-08	FIX.03-10	FIX.03-12
Part Code	0614.00003.131	0614.00004.131	0614.00005.131
Measurements	Ø 8 mm	Ø 10 mm	Ø 12 mm
MOQ Packing	50 pcs/ box	50 pcs/ box	50 pcs/ box
Availability	on request	standard	on request

MOQ = Minimum Order Quantity / n = number

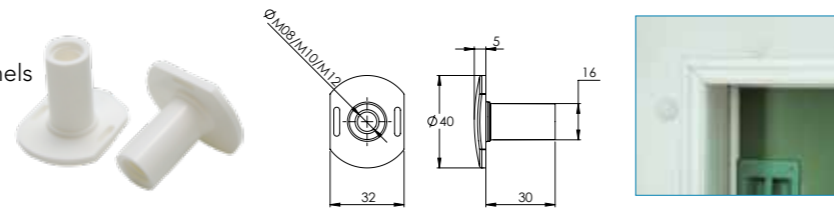
It's the customer's responsibility to check, handle and install the products in compliance with the building regulations, with the safety factors and according to the professional know-how in application at the location of installation. Technical data available upon written request.

Screws

- Head 32mm x Depth 30mm
- For fastening doorframes and insulated wall panels
- Standard white colours (STDW):

CI902	CW903
-------	-------

- Other colours: contact us

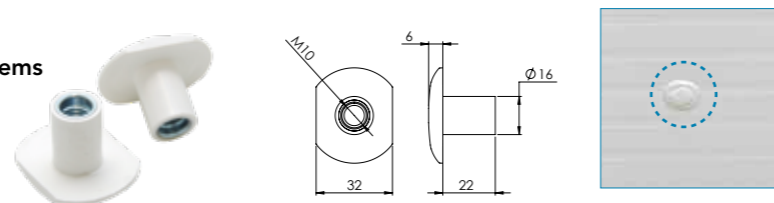


Model	INJ.32	INJ.23	INJ.36
Part Code	4010.300xx.M08	4010.300xx.M10	4010.300xx.M12
Thread	M08	M10	M12
MOQ Packing	1000 pcs	1000 pcs	1000 pcs
Availability	standard	standard	on request

Overinjected steel screw

- Head 32mm x Depth 22mm
- Recommended for ceiling suspensions, sliding systems and outdoor fixations
- Standard white colours (STDW):

CI902	CW903
-------	-------



Model	INJ.235
Part Code	4010.302xx.M10
Thread - Steel insert	M10
MOQ Packing	1000 pcs/ box (= 2 x 500 pcs)
Availability	standard

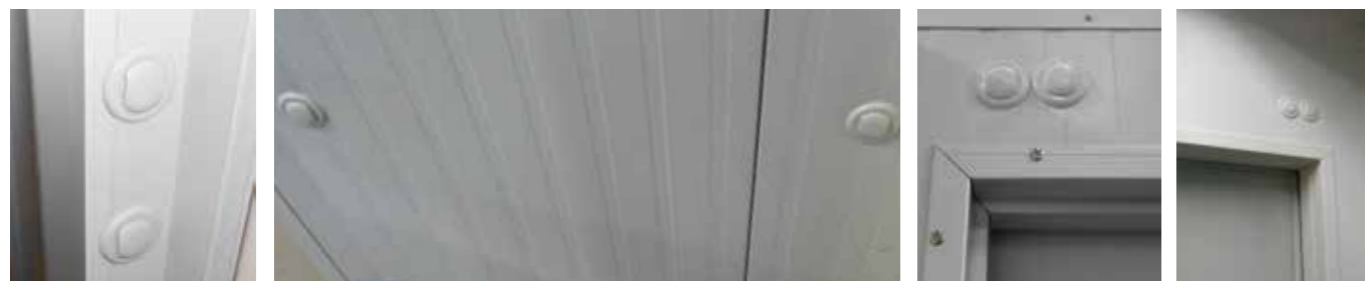
Washers

- Outside diameter 60mm x 5,50
- Standard white colours (STDW):

CI902	CW903
-------	-------



Model	INJ.24 - 4010.350xx.018
Part Code	4010.350xx.018
MOQ Packing	1000 pcs
Availability	standard



IMPORTANT

- Above screws feature thermal break also when used with steel threaded rods (alternative to nylon)
- Rods are not in our product range.



MOQ = Minimum Order Quantity

It's the customer's responsibility to check, handle and install the products in compliance with the building regulations, with the safety factors and according to the professional know-how in application at the location of installation. Technical data available upon written request.

Subject to any changes - CAT: COOL_2018-102-00560-000-02

IMPORTANT ABOUT COLOURS	COLOUR REFERENCE	SYMBOL
Standard whites (STDW) new colour references	CI902 = 9002	●
	CW903 = 9010	★
	CW910 = 9010N	□
Neutral white = any white for hidden use	CWX	△
Material colour or any colour of Castel Eng. choice		---
Standard colours, black, red, blue, green, yellow and inox	CX	
On request		OR

	Model	Part Code	Description	Dimensions	Colours	MOQ Packing Multipacking	Page
LARGE PVC COVINGS							
	EX.14	0601.00001.XXX	Rounded corner coving Big 100mm with soft edges	100 mm x 4 M	●★□	120 M / box 1920 M / pallet	Pg. 11
	INJ.59	0601.00002.XXX	Corner cap for Big Rounded Corner coving EX14		●★□	50 pcs	
	INJ.297	0601.00003.XXX	External Corner Cap for Big Rounded Corner Coving EX14		●★□	40 pcs	
	INJ.352A	0601.00004.XXX	End cap for Big Rounded Corner coving EX14	Available on TDS**	●★□	100 pcs	
MEDIUM PVC COVINGS							
	EX.54	0602.00001.XXX	Rounded corner coving Medium 82mm with soft edges	82 mm x 4 M	●★□	120 M / box 2400 M / pallet	Pg. 12
	EX.11	0602.00002.XXX	Rounded corner coving Medium 65mm without soft edges	65 mm x 4 M	●★□	2400 M	
	INJ.380	0602.00003.XXX	Corner Cap for Medium Rounded Corner EX54 & EX11 Coving		●★□	50 pcs	
	INJ.352C	0602.00004.XXX	End Cap for Medium Rounded Corner EX54 Coving		●★□	100 pcs	
SMALL PVC COVINGS							
	EX.40	0603.00001.XXX	Rounded Corner coving Small 60mm with soft edges	60 mm x 4 M	●★□	120 M / box 3360 M / pallet	Pg. 13
	INJ.192	0603.00002.XXX	Corner Cap for Small Rounded Corner coving profiles EX40 - EX160		●★□	100 pcs	
	INJ.298	0603.00003.XXX	External Corner Cap for Small Rounded Corner Coving EX40 - EX160	Available on TDS**	●★□	100 pcs	
	INJ.352B	0603.00004.018	End cap for Small Rounded Corner coving profile EX40 - EX160		●★□	100 pcs	
	EX.160	0603.00009.010	Rounded Corner coving Small 62 mm with soft edges	62 mm x 4 M	□	2400 M	Pg.14
ALU COVINGS							
	ANGARALU.01	0601.00101.XXX	Rounded corner BIG coving ALU lacquered 80mm Model	80 mm x 4 M	●★	128 M 384 M / pallet	Pg. 15
	ANGARALU.02	0601.00105.XXX	Rounded corner SMALL coving ALU lacquered 60mm Model	60 mm x 4 M	●★	128 M 640 M / pallet	
	ANGARCOQ.01	0601.00102.XXX	Corner Cap ALU for Rounded Corner coving profile ANGARALU01		●★	100 pcs	
	ANGARCOQ.02	0601.00106.XXX	Corner Cap ALU for Rounded Corner coving profile ANGARALU02		●★	100 pcs	
	FCALU.01	0601.00103.XXX	Flat corner coving ALU 65mm lacquered	65 mm x 4 M	OR	TBC	
	FCCOQ.01	0601.00106.XXX	Large Flat Cap for FCALU01 Large Flat Corner Coving		OR	TBC	

MOQ = Minimum Order Quantity / TBC = To Be Confirmed / n = number

* White colours not applicable ** TDS: Technical Data Sheet. Contact us *** Available on request

CAT: COOL_2018-102-00560-000-02 - Subject to any changes

	Model	Part Code	Description	Dimensions	Colours	MOQ Packing Multipacking	Page
BACKING PROFILES							
	EX.28	0601.00005.XXX	Backing male profile 40x40 PVC (*) for EX14, EX54 & EX11 Covings	40 x 40 mm x 4 M	---	120 M / box 1920 M / pallet	Pg. 16
	EX.53	0602.00005.XXX	Backing male profile 35x35 PVC (*) for EX14 / EX54 / EX11 Covings	35 x 35 mm x 4 M	---	120 M / box 3360 M / pallet	
	EX.41	0603.00005.XXX	Backing male profile 25x25 PVC (*) for EX54 / EX11 / EX40 (EX14)	25 x 25 mm x 4 M	---	120 M / box 3360 M / pallet	
	EX.42	0603.00006.XXX	Backing Female profile 25x25 PVC (*) for EX40	25 x 25 mm x 4 M	---	3360 M	Pg. 17
	EX.161	0603.00010.000	Backing V-profile 25x25 PVC (*) for EX160	30 x 30 mm x 4 M	---	2400 M	
	EX.146	0603.00008.XXX	FULL EXPANDED RIGID PVC Backing profile for EX40	30 x 30 mm x 4 M	---	3360 M	
	HOEKALU.40	0601.00104.XXX	Backing male profile 40x40 ALU predrilled(*)for EX14 / EX54 / ANGARAL01 FCALU01 Covings	40 x 40 mm x 4 M	---	120 M / box 1200 M / pallet	Pg. 18
	HOEKALU.35	0602.00006.XXX	Backing male profile 35x35 ALU (*) for EX14 / EX54 / EX11 Covings	35 x 35 mm x 4 M	---	120 M / box 1200 M / pallet	
	HOEKALU.30	0603.00007.XXX	Backing male profile 28x28 ALU (*) for EX54 / EX11 / EX14 / EX40 / ANGARALU02 Covings	28 x 28 mm x 4 M	---	120 M 1200 M / pallet	
PLINTH PROFILES							
	EX.15	0605.00001.XXX	Plinth PVC Double Skin with soft edges	100 mm x 4 M	●★□	80 M / box 1280 M / pallet	Pg. 20
	EX.80	0605.00002.XXX	Plinth PVC Single Skin with soft edges	100 mm x 4 M	●★□	80 M / box 1280 M / pallet	
	EX.135	0605.00003.XXX	Flat Plinth PVC with soft edges can be glued	100 mm x 4 M	OR	2800 M	
PLINTH ACCESSORIES							
	INJ.31	0605.00004.XXX	Interior corner cap for Plinth EX15 / EX80		●★□	52 pcs	Pg. 21
	INJ.91	0605.00005.XXX	Upper cap for interior corner cap Plinth EX15 / EX80		●★□	100 pcs	
	INJ.88	0605.00006.XXX	Exterior corner cap for Plinth EX15 / EX80		●★□	52 pcs	
	INJ.21	0605.00007.XXX	End cap for Plinth EX15 (L / R)		●★□	100 pcs	
OTHER SKIRTING							
	EX.10	0606.00001.XXX	Rounded PVC skirting profile for concrete plinth	4 M	●□	120 M / box 3360 M / pallet	Pg. 22
	SCPALU.01	0606.00002.XXX	Rounded ALU skirting profile for concrete plinth	4 M	OR	TBC	
	INJ.229B	0606.00003.XXX	End Cap for Concrete Plinth EX.10		●□	50 pcs	
	EX.16	0606.00006.XXX	Ventilation floor profile 40x40 mm	4 M	△---	144 M 1152 M	

	Model	Part Code	Description	Dimensions	Colours	MOQ Packing Multipacking	Page
U CHANNEL PROFILES							
	EX.04	0607.00001.XXX	U Profile PVC 60 mm - External Rounded Hygienic Design	60 x 45 mm x 3 M	●★□	120 M 540 M / pallet	Pg. 23
	EX.49	0607.00002.XXX	U Profile PVC 75 mm - External Rounded Hygienic Design	75 x 45 mm x 3 M	OR	1620 M	
	EX.05	0607.00003.XXX	U Profile PVC 80 mm - External Rounded Hygienic Design	80 x 45 mm x 3 M	●★□	135 M 540 M / pallet	
	EX.06	0607.00004.XXX	U Profile PVC 100 mm - External Rounded Hygienic Design	100 x 45 mm x 3 M	●★□	126 M 504 M / pallet	
	EX.23	0607.00005.XXX	U Profile PVC 120 mm - External Rounded Hygienic Design	120 x 45 mm x 3 M	OR	1512 M	
	INJ.81	0607.00006.XXX	Corner connection 90° for rounded U Profile 60mm	60 mm for EX.04	●□	84 pcs	
	INJ.248	0607.00008.XXX	Corner connection 90° for rounded U Profile 80mm	80 mm for EX.05	●□	72 pcs	Pg. 24
	INJ.229	0607.00009.XXX	End Cap Left / Right for U Profile External Rounded Hygienic Design		●*□	50 pcs	
ASYMMETRIC U CHANNELS							
	EX.68	0608.00001.XXX	U PVC profile Asymmetric 50mm - L = 4 M	50 x 50 x 30 mm x 4 M	OR	1536 M	Pg. 24
	EX.64	0608.00002.XXX	U PVC profile Asymmetric 60mm - L = 4 M	50 x 60 x 30 mm x 4 M	OR	1560 M	
	EX.94	0608.00006.081	U PVC profile Asymmetric 63mm - L = 4 M	50 x 60 x 30 mm x 4 M	OR	1568 M	
	EX.65	0608.00003.XXX	U PVC profile Asymmetric 75mm - L = 4 M	50 x 75 x 30 mm x 4 M	OR	1536 M	
	EX.66	0608.00004.XXX	U PVC profile Asymmetric 80mm - L = 4 M	50 x 80 x 30 mm x 4 M	OR	1584 M	
	EX.67	0608.00005.XXX	U PVC profile Asymmetric 100mm - L = 4 M	50 x 100 x 30 mm x 4 M	OR	1520 M	
SYMMETRIC U CHANNELS							
	EX.101	0609.00001.XXX	U PVC profile Symmetric 30 x 30 x 1,5 mm -L=4 M	30 x 30 x 1,5 mm x 4 M	OR	1512 M	Pg. 25
	EX.102	0609.00002.XXX	U PVC profile Symmetric 40 x 30 x 1,5 mm -L=4 M	30 x 40 x 1,5 mm x 4 M	OR	1512 M	
	EX.103	0609.00003.XXX	U PVC profile Symmetric 50 x 30 x 1,5 mm -L=4 M	30 x 50 x 1,5 mm x 4 M	OR	1496 M	
	EX.104	0609.00004.XXX	U PVC profile Symmetric 60 x 30 x 1,5 mm -L=4M	30 x 60 x 1,5 mm x 4 M	OR	1560 M	
	EX.106	0609.00006.XXX	U PVC profile Symmetric 80 x 30 x 2 mm -L=4 M	30 x 80 x 2 mm x 4 M	OR	1496 M	
	EX.107	0609.00007.XXX	U PVC profile Symmetric 100 x 30 x 2 mm -L=4 M	30 x 100 x 2 mm x 4 M	OR	1512 M	
	EX.108	0609.00008.XXX	U PVC profile Symmetric 125 x 30 x 2 mm -L=4 M	30 x 125 x 2 mm x 4 M	OR	1512 M	

Subject to any changes - CAT: COOL_2018-102_00560_000-v2

CAT: COOL_2018-102_00560_000-v2 - Subject to any changes

	Model	Part Code	Description	Dimensions	Colours	MOQ Packing Multipacking	Page
L-COVERING PROFILES							
	EX.111	0610.00001.XXX	L Profile PVC 30 x 30 x 1mm - L = 4 M	30 x 30 x 1 mm x 4 M	OR	1520 M	Pg. 26
	EX.112	0610.00002.XXX	L Profile PVC 40 x 40 x 1,2mm - L = 4 M	40 x 40 x 1,2 mm x 4 M	OR	1520 M	
	EX.113	0610.00003.XXX	L Profile PVC 50 x 50 x 1,4mm - L = 4 M	50 x 50 x 1,4 mm x 4 M	OR	1520 M	
	EX.114	0610.00004.XXX	L Profile PVC 60 x 60 x 2mm - L = 4 M	60 x 60 x 2 mm x 4 M	OR	1520 M	
	EX.115	0610.00005.XXX	L Profile PVC 100 x 50 x 2mm - L = 4 M	50 x 100 x 2 mm x 4 M	OR	1520 M	
	EX.116	0610.00006.XXX	L Profile PVC 100 x 50 x 3mm - L = 4 M	50 x 100 x 3 mm x 4 M	OR	1520 M	
BUMPER RAIL PROTECTIONS							
	EX.81-82	0611.00001.XXX	Bumper profile Heavy-Duty 40x70mm L = 4 M	40 x 70 mm x 4 M	●★□	40 M / box 640 M / pallet	Pg. 28
	INJ.296	0611.00002.XXX	End cap for Bumper Profile Heavy Duty		●★□	52 pcs	Pg. 29
CEILING SUSPENSIONS - GALVANISED POWDER-COATED STEEL							
	TST.01	0613.00201.XXX	Galvanized T steel profile for fire resistant ceiling panels	130 x 68 mm x 4 M	●★	52 M 168 M / pallet	Pg. 32
	A.88	0613.00504.XXX	Fixation M10 METAL for T-suspension profiles (*)	40 x M10 - Ø10 mm	---	50 pcs / box	Pg. 32
	A.98	0613.00516.XXX	Fixation M10 pin M12 thread METAL for T-suspension profiles	40 x M12 x Ø10 mm	---	50 pcs / box	
	TST.CON	0613.00511.XXX	Connector plate and clevis for T-profiles	Ø M10	---	42 sets / box	
	T.ALU.01	0613.00101.XXX	T-suspension ALU suspension profile h=64 x l=84mm L = 4 M	84 x 64 mm x 4 M	●★	104 M 280 M / pallet	
	PUL.01	0613.00001.XXX	T-suspension polyester (GFK) profile h=80 mm L = 4 M	80 x 80 mm x 4 M	●★	104 M	Pg. 33
	PUL.02	0613.00002.XXX	T-suspension polyester (GFK) profile h=200 mm L = 4 M	80 x 200 mm x 4 M	●★	1000 M	

	Model	Part Code	Description	Dimensions	Colours	MOQ Packing Multipacking	Page
CEILING SUSPENSIONS - ALU							
	TH.ALU.01	0613.00105.XXX	T-Omega "THERMAL" suspension ALU (for ceiling) 105 x 24mm	105 x 24 mm x 4 M	●★	104 M 416 M / pallet	Pg. 34
	TH.ALU.02	0613.00106.XXX	T-Omega "THERMAL" suspension ALU (for ceiling) 135 x 24mm	135 x 24 mm x 4 M	●★	104 M 240 M / pallet	
	A.325	0613.00512.XXX	Thermal fixation M10 for TH.ALU.01		---	50 pcs / box	
	A.A.325	0613.00513.XXX	Thermal fixation M08 for TH.ALU.01		---	50 pcs / box	
	A.326	0613.00514.XXX	Thermal connector M10 for TH.ALU.01		---	50 pcs / box	
	A.A.326	0613.00515.XXX	Thermal connector M08 for TH.ALU.01		---	50 pcs / box	
	T.O.ALU.01	0613.00103.XXX	T-Omega suspension ALU (for ceiling) h=20 x l= 100mm L = 4 M	100 x 20 mm x 4 M	●★	104 M 440 M / pallet	Pg. 35
	T.O.ALU.02	0613.00104.XXX	T-Omega suspension ALU (for ceiling) h=20 x l=135mm L = 4 M	135 x 20 mm x 4 M	●★	104 M 240 M / pallet	
	A.315	0613.00507.XXX	ALU Fixation M10 for TO.ALU.01 & AO.ALU.02 T-Omega suspension ALU profile (*)		---	50 pcs / box	
	A.A315	0613.00508.XXX	ALU Fixation M08 for TO.ALU.01 & AO.ALU.02 T-Omega suspension ALU profile (*)		---	50 pcs / box	
	A.316	0613.00509.XXX	ALU Connector M10 for TO.ALU.01 & AO.ALU.02 T-Omega suspension ALU profile (*)		---	50 pcs / box	
	A.A316	0613.00510.XXX	ALU Connector M08 for TO.ALU.01 & AO.ALU.02 T-Omega suspension ALU profile (*)		---	50 pcs / box	

Ask for the full catalogue!

OPTIMA Shelving™

by Castel Engineering

	Model	Article nr.	Description	Dimensions		MOQ Packing Multipacking	Page
CEILING SUSPENSIONS - ALU							
	OMEGA-LU.01*	0613.00105.XXX	Omega ALU Profile A = 130 mm B = 29 mm L = 6 M	130 x 29 mm x 6 M	●★	216 M	Pg. 36
	A.95x+xxx	0613.00502.XXX	Nut M10 40x40x12mm for Omega ALU profiles (*)	M10 x 40 x 40 mm	---	50 pcs/box	
CEILING SUSPENSIONS - FIXATIONS							
	FIX.01*	0614.00001.129	Fixation Kit for Ceiling Suspensions - Flat Perpendicular configuration		---	50 sets	Pg. 37
	FIX.02*	0614.00002.130	Fixation Kit for Ceiling Suspensions - Inclinated Suspension		---	50 sets	
	FIX.03-08***	0614.00003.131	Steel Beam Clamp M08	Ø 8 mm	---	50 pcs / box	
	FIX.03-10*	0614.00004.131	Steel Beam Clamp M10	Ø 10 mm	---	50 pcs / box	
	FIX.03-12*+***	0614.00005.131	Steel Beam Clamp M12	Ø 12 mm	---	50 pcs / box	
CEILING SUSPENSIONS - SCREWS & WASHERS							
	INJ.32	4010.300XX.M08	Screw M08 - 32 x 30 mm		●★	1000 pcs	Pg. 38
	INJ.23	4010.300XX.M10	Screw M10 - 32 x 30 mm		●★	1000 pcs	
	INJ.36***	4010.300XX.M12	Screw M12 - 32 x 30 mm		●★	1000 pcs	
	INJ.235	4010.302XX.M10	Screw M10 with steel insert 32 x 30 mm		●★	1000 pcs	
	INJ.24	4010.350XX.018	Washer - 60 mm		●★	1000 pcs / box	

" M " refers to "linear meter"
" pcs " refers to "piece / pieces"

Despite the care we take in the extrusion, pultrusion, lacquering and injection of our products, some difference in the color may be detected from one production batch to the other. This is inherent in our production processes.

Packing information: the dimensions and data contained in this document for guidance only and we reserve the right to modify them without any notification.

We advise our customers to check that the products of their choice are appropriate for their intended use. As application, installation and use are made beyond our control, the installer and user bear all responsibility. Our warranty is exclusively limited to the delivery of a product of constant quality. In case of dispute, our liability will be limited to replacement of the goods. Our Genewhite Conditions of Sales apply.

Hygienic storage solutions for coldrooms & cleanrooms



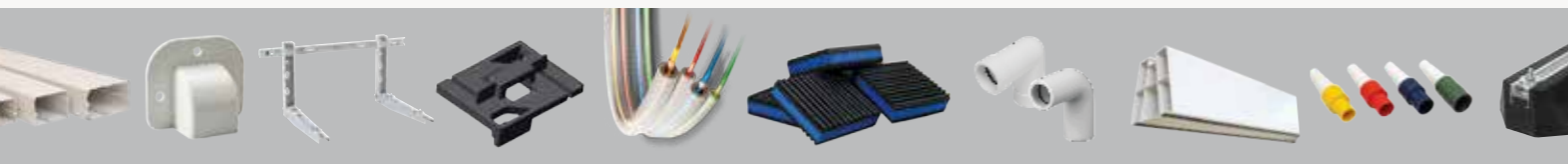
Subject to any changes - CATI - COOL - 2018 - 102 - 00560.000-12

Ask for the full catalogue!

Castel Airco by Castel Engineering



THE ACCESSORIES
FOR AN EASY AND
COMPLETE
PROFESSIONAL
INSTALLATION



Lined area for notes or contact information

ENGINEERING SOLUTIONS, MANUFACTURING QUALITY

www.castel-engineering.com



Castel Engineering Belgium - Head Quarters

Rue de la royenne 84 - 7700 Mouscron - BE

t +32 (0)56 33 68 40 - f +32 (0)56 33 78 10

info@castel-engineering.com

Castel Engineering Polska Sp. Z.o.o.

Tomaszowice kol. 126

t +48 (0)81 503 28 22 - f +48 (0)81 503 15 55

biuro@castel-engineering.com

CAT. COOL 2018-102.00560.000-V2

ENGINEERING SOLUTIONS, MANUFACTURING QUALITY

www.castel-engineering.com