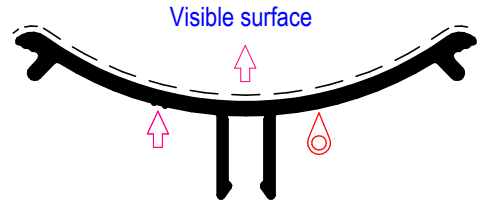
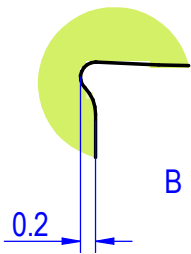
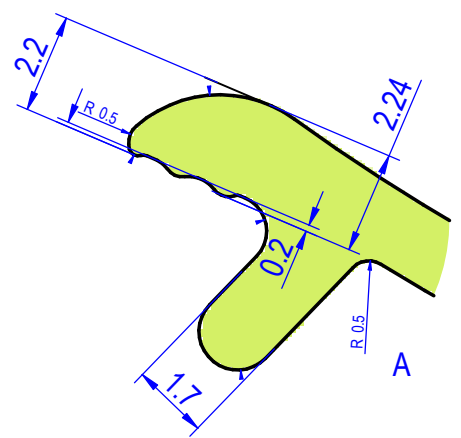
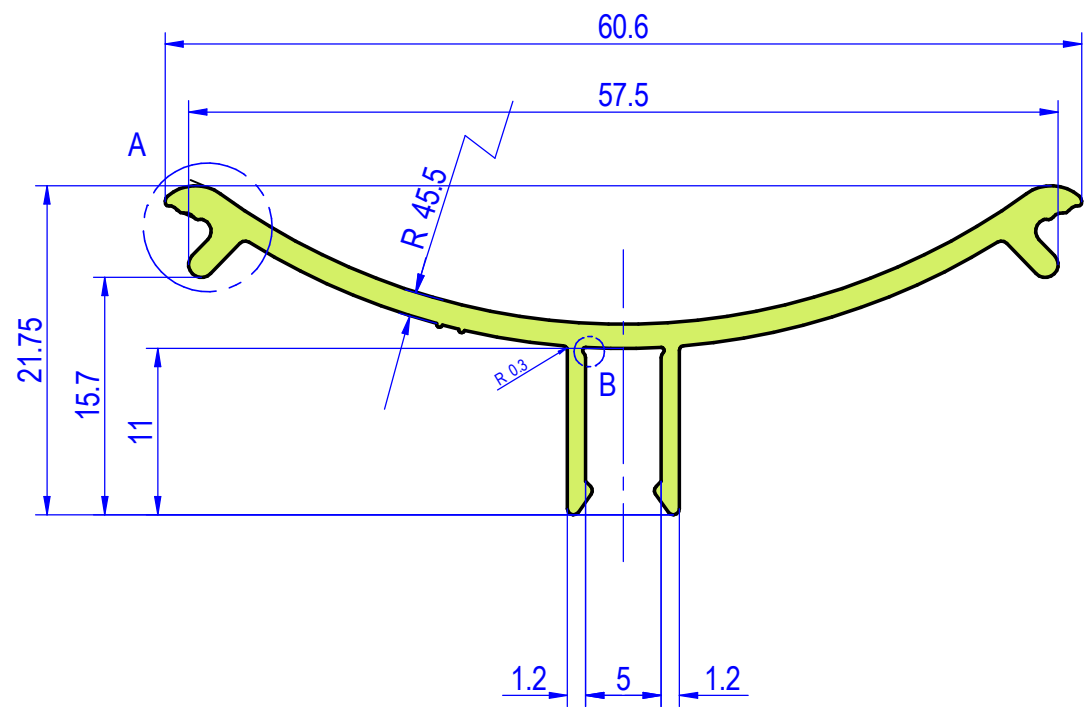








# Clean room corner profile for ISO-14644 and GMP applications



	Profile length: 6000 mm -	 	Universal clean room corner profile	<b>CR.UNI 02 profile</b>	Codice Provvisorio	Color code .RAL 9002	Data 10/11/2022	Scala 2:1	Revisioni  :  :  :
	Raggi non quotati 0.2mm		Perimetro 186 mm	Peso teorico 386 gr/m	Jx 3551 mm <sup>4</sup>	Spessore .	Disegnato MG Verificato GP		
<b>TOLERANCES UNI EN 755-9</b>			Area 143 mm <sup>2</sup>	Jy 42934 mm <sup>4</sup>					