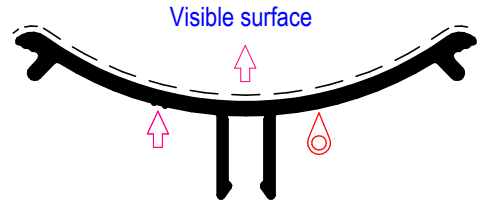
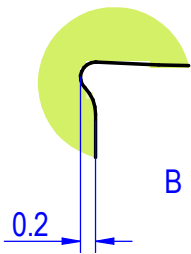
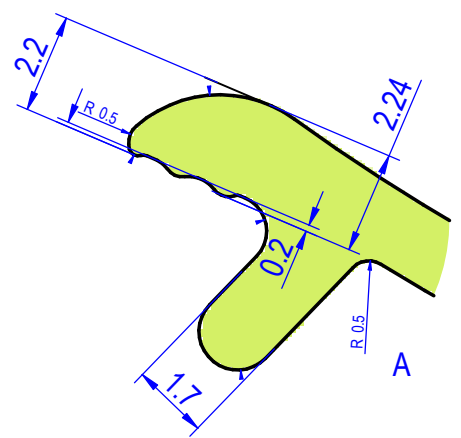
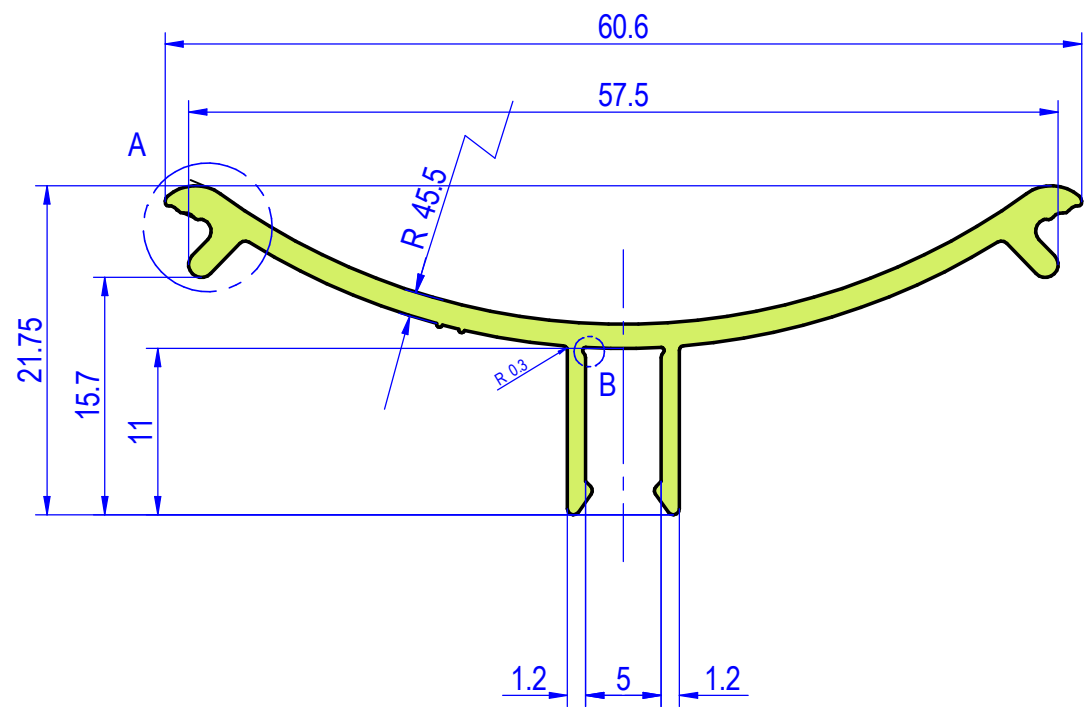


# Clean room corner profile for ISO-14644 and GMP applications



	Profile length: 6000 mm -		Universal clean room corner profile	<b>CR.UNI 02 profile</b>	Codice Provvisorio	Color code	Data	Scala	Revisioni A B C
	Raggi non quotati 0.2mm		Perimetro 186 mm Area 143 mm <sup>2</sup>	Peso teorico 386 gr/m	Jx 3551 mm <sup>4</sup> Jy 42934 mm <sup>4</sup>	.RAL 9002 Spessore .	10/11/2022 Disegnato MG Verificato GP		
<b>TOLERANCES UNI EN 755-9</b>									